
Alanda '18

SMALL TABLES

Paolo Piva

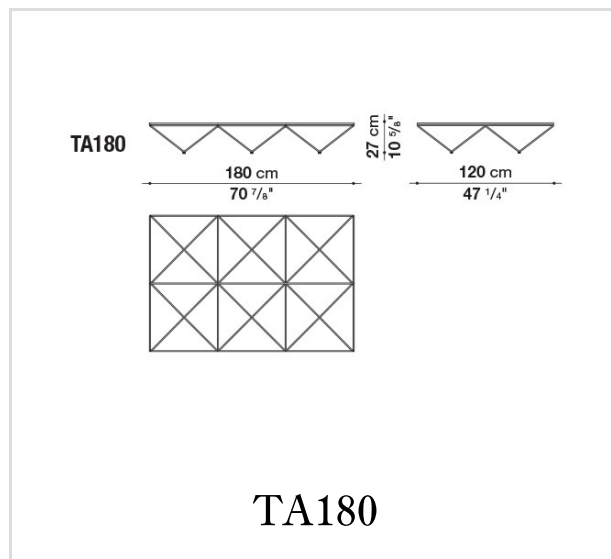
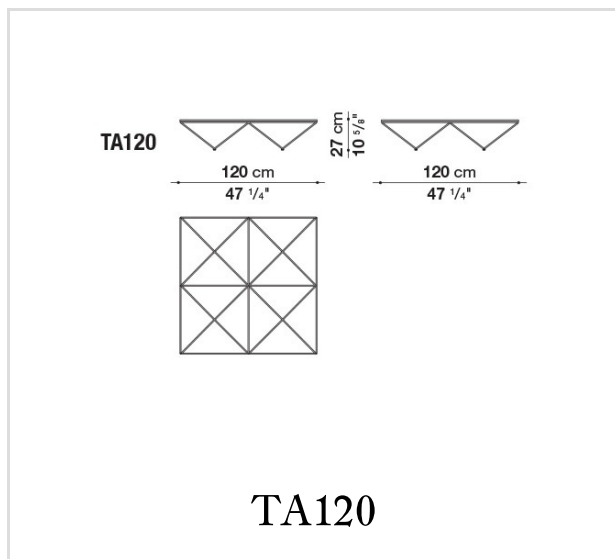


Description

The Alanda coffee table, an iconic piece that ushered in the 1980s, is now revisited in homage to Paolo Piva, the great architect and designer who passed away last year. A highly successful classic and sought-after vintage furnishing complements, Alanda is one of the most typical design objects of a period with a wealth of strong, daring stylistic signs, often in a dialogue with architecture, reproducing its most attractive, characteristic elements in miniature. The Alanda's structure, serving as both pedestal and support, recalls a group of upturned pyramids, a geodetic frame that has always characterized it as if it was a magical object, entrapping and amplifying cosmic energy. Alanda '18 is offered in two sizes - 120 x 120 cm and 120 x 180 cm - with structure in glossy black painted steel and top in extra light or smoky glass.

Technical information

Technical drawings



B&B Italia reserves the right to make technological and aesthetic improvements to its models, including changes to the sizes and materials, without notice. The technical drawings do not define the details of the product. The measurements shown are indicative and may undergo changes. In particular, the dimensions relevant to the padded parts are subject to usage tolerances over time caused by the normal adjustment of the padding. For the specific information, please contact the dealer closest to you.