

# SMITH

DESIGNED BY METRICA

## ASSEMBLY INSTRUCTIONS





## DISCLAIMER

---

ENSURE THAT ALL STEPS ARE FOLLOWED IN THE CORRECT ORDER AND  
THAT NO STEP IS LEFT OUT.  
A MINIMUM OF TWO PEOPLE ARE REQUIRED FOR ASSEMBLY.

---

TO PREVENT ANY DAMAGE OF THE PRODUCT, DO NOT USE A BOX CUTTER,  
KNIFE OR SHARP OBJECT TO OPEN THE BOXES.

---

DO NOT LIFT THE TABLE BY ITS TOP. IF YOU HAVE TO LIFT THE TABLE,  
LIFT IT BY HOLDING ONTO THE METAL STRUCTURE.

SPØ1

# ASSEMBLY INSTRUCTIONS

---

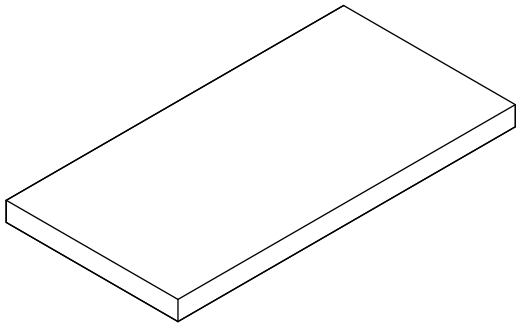
## SMITH TABLE WITH WOOD TOP

SMITH TABLE WITH WOOD TOP

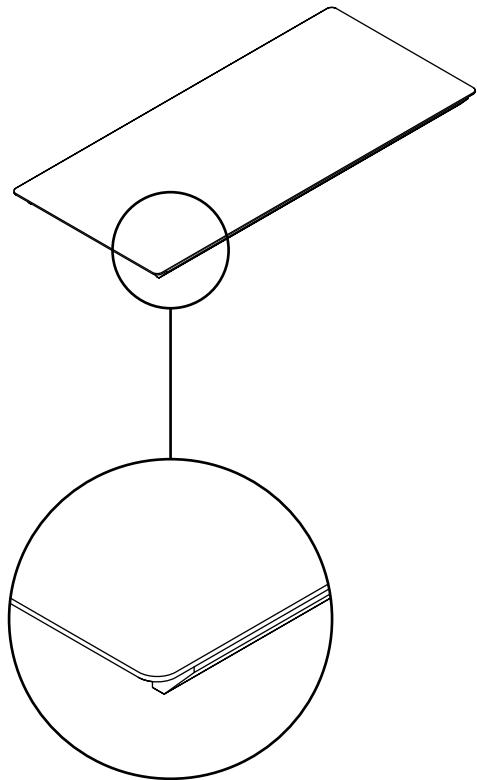
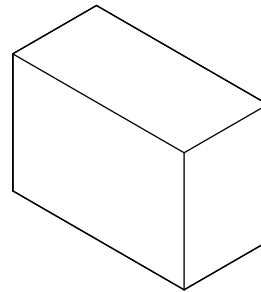
---

PACKAGING  
PARTS

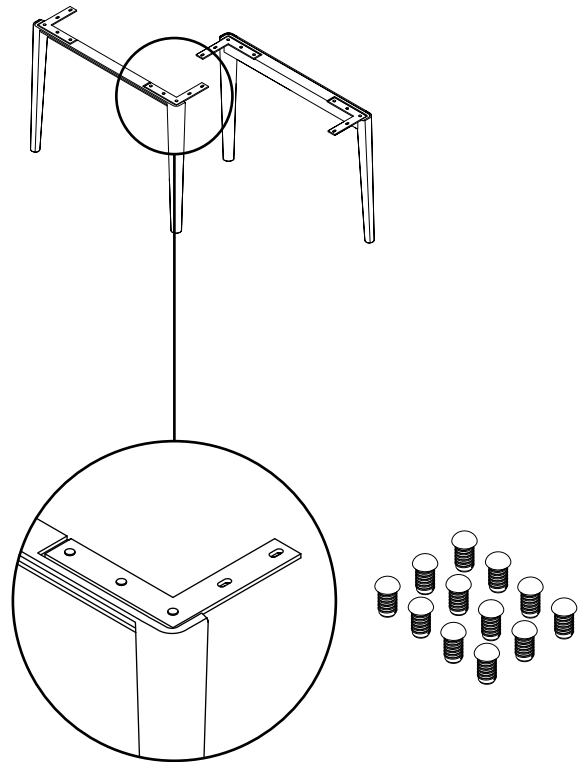
BOX WITH FRAME  
AND TOP



BOX WITH LEGS



WOODEN TOP WITH  
METAL FRAME WITH  
WOODEN SIDES

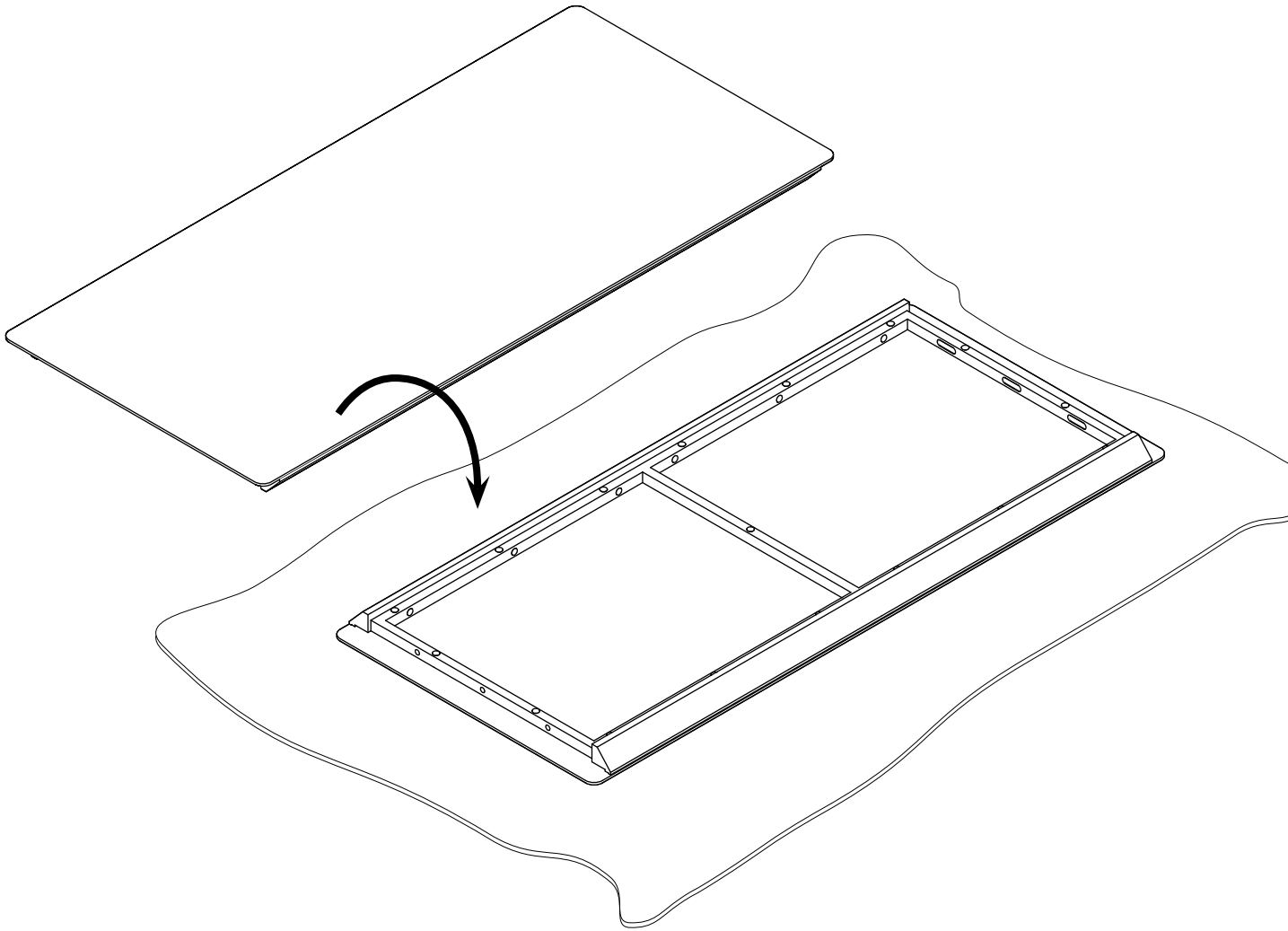


LEG WITH METAL L,  
SCREWS FOR ASSEMBLY

SMITH TABLE WITH WOOD TOP

---

TOP DISASSEMBLY

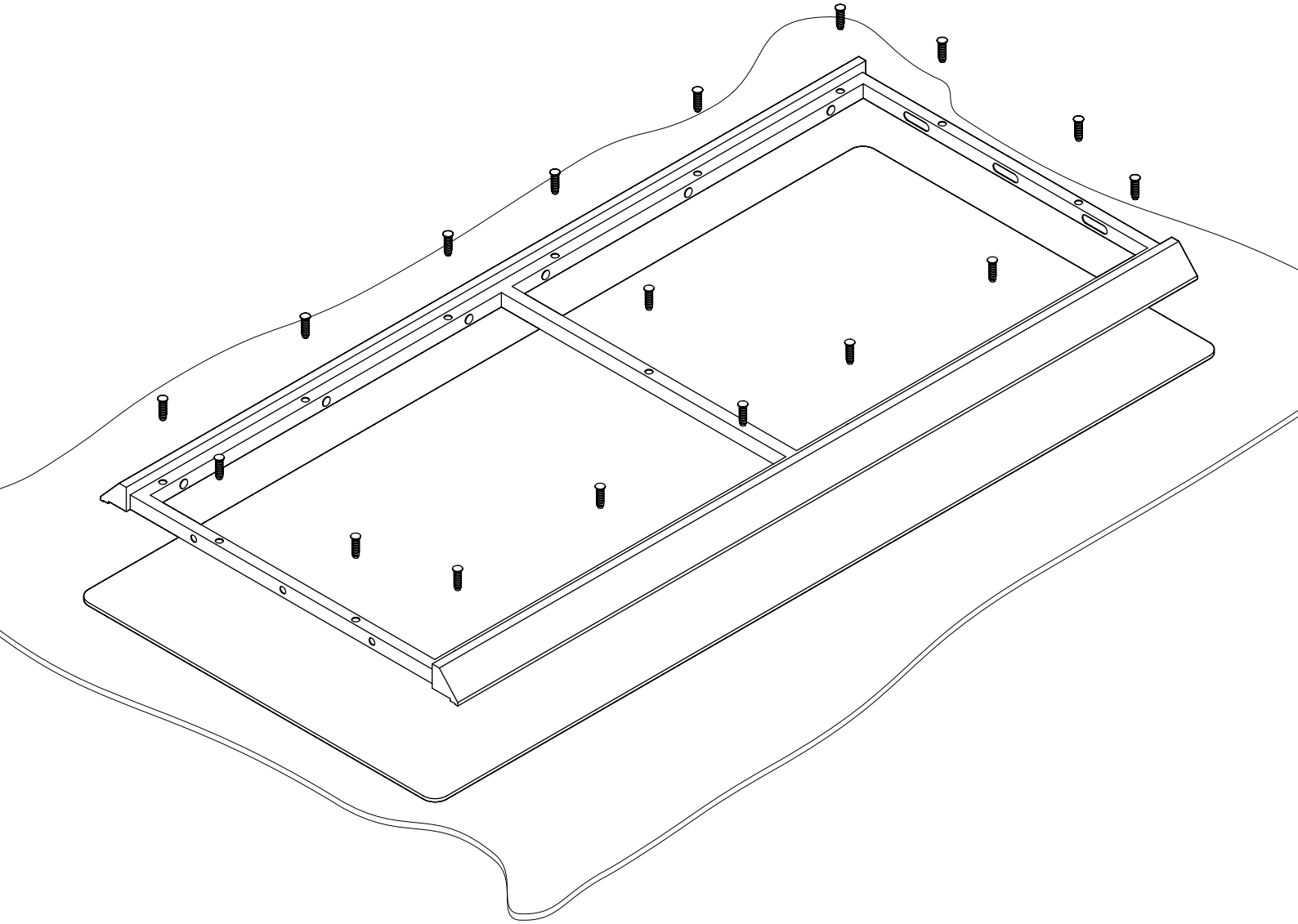


PLACE THE FRAME WITH THE ALREADY ASSEMBLED TOP UPSIDE DOWN ONTO A SOFT AND CLEAN SURFACE SUCH AS A BLANKET.

SMITH TABLE WITH WOOD TOP

---

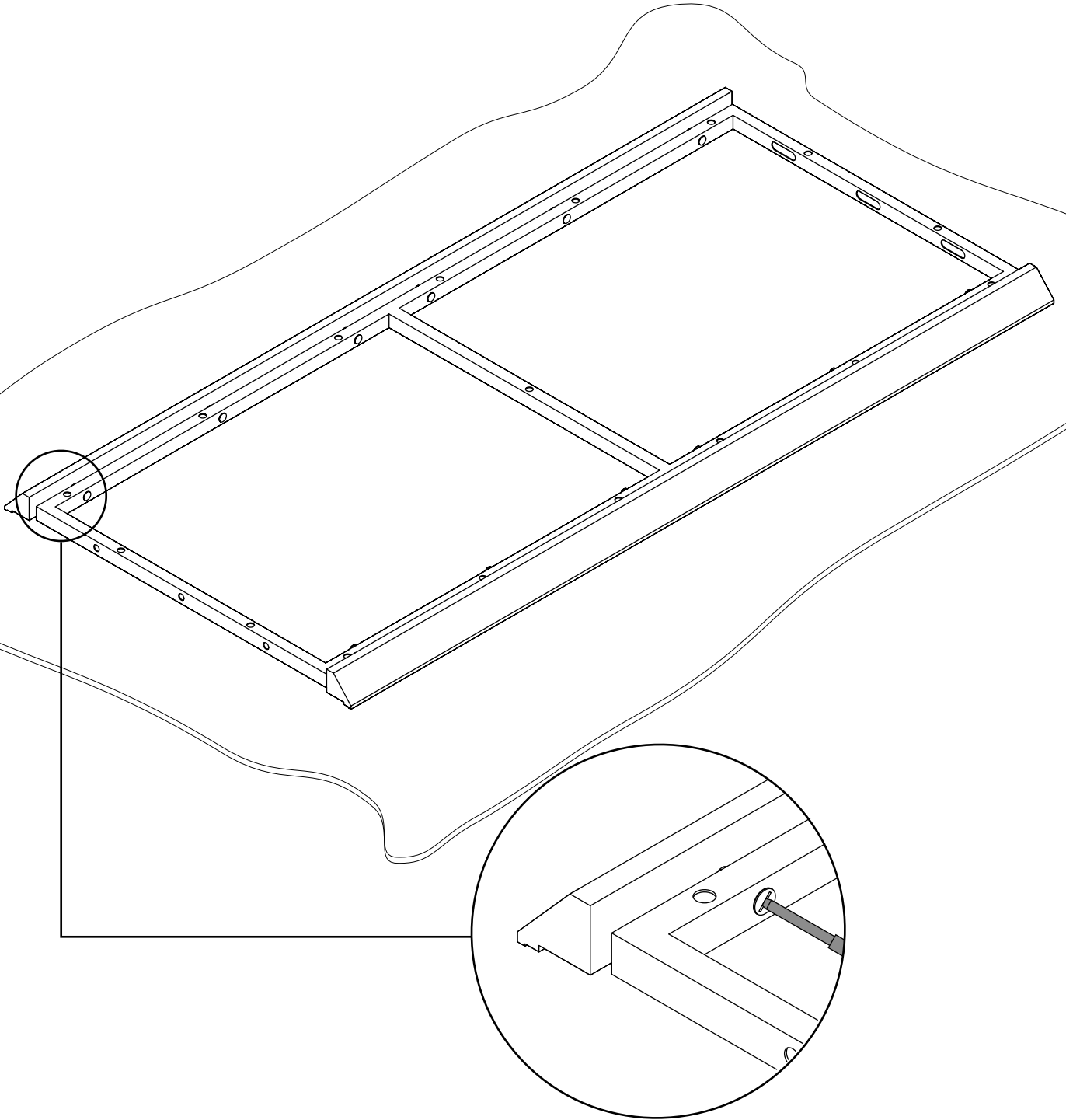
TOP DISASSEMBLY



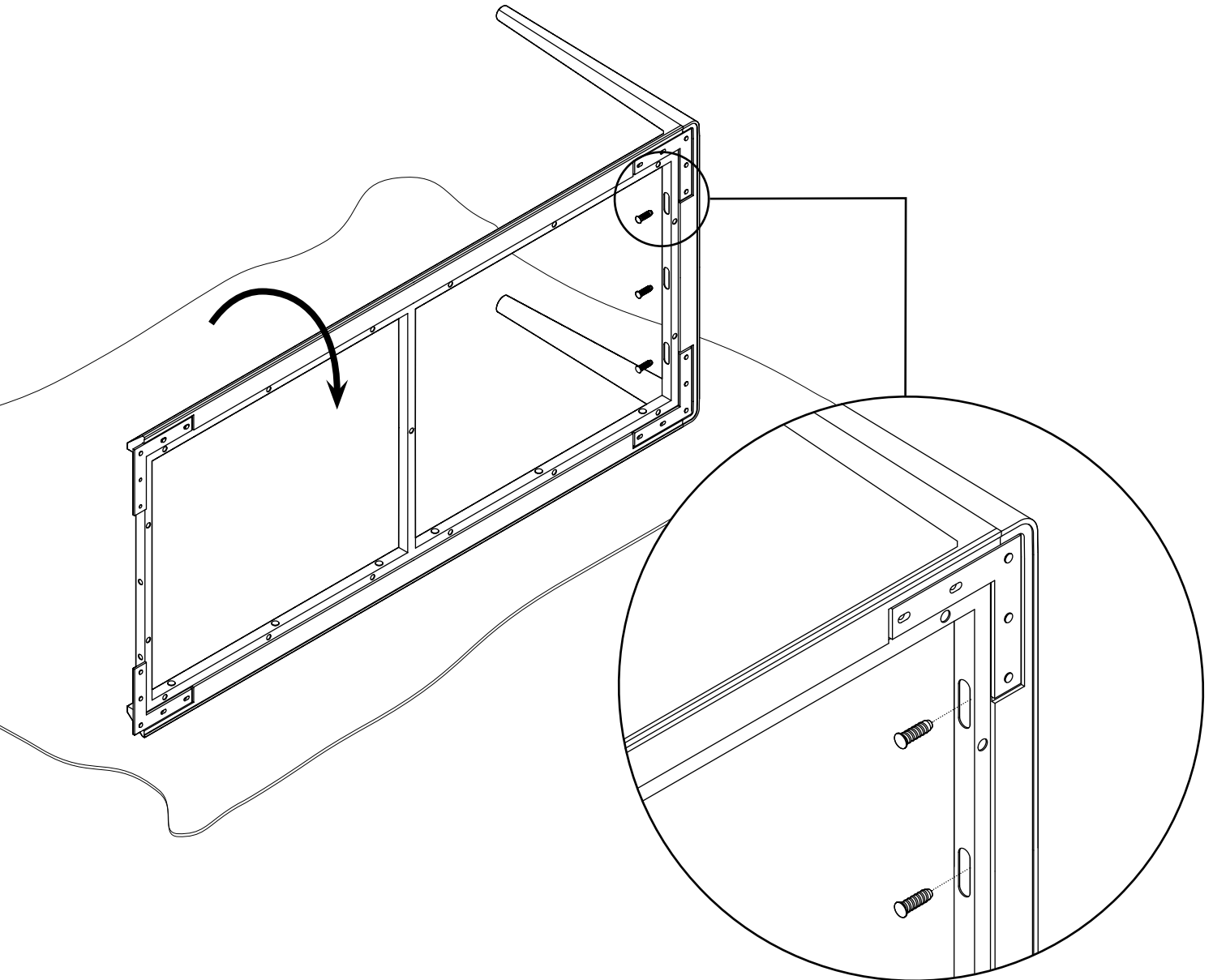
UNSCREW THE TOP COMPLETELY AND SET ASIDE. THE TOP WILL BE REASSEMBLED AT THE END.

SMITH TABLE WITH WOOD TOP

STRUCTURE ASSEMBLY



LOOSEN GENTLY ALL THE SCREWS WHICH FIX THE WOODEN SIDES ONTO THE METAL FRAME.  
DO NOT UNSCREW THE WOODEN SIDES.

SMITH TABLE WITH WOOD TOPSTRUCTURE ASSEMBLY

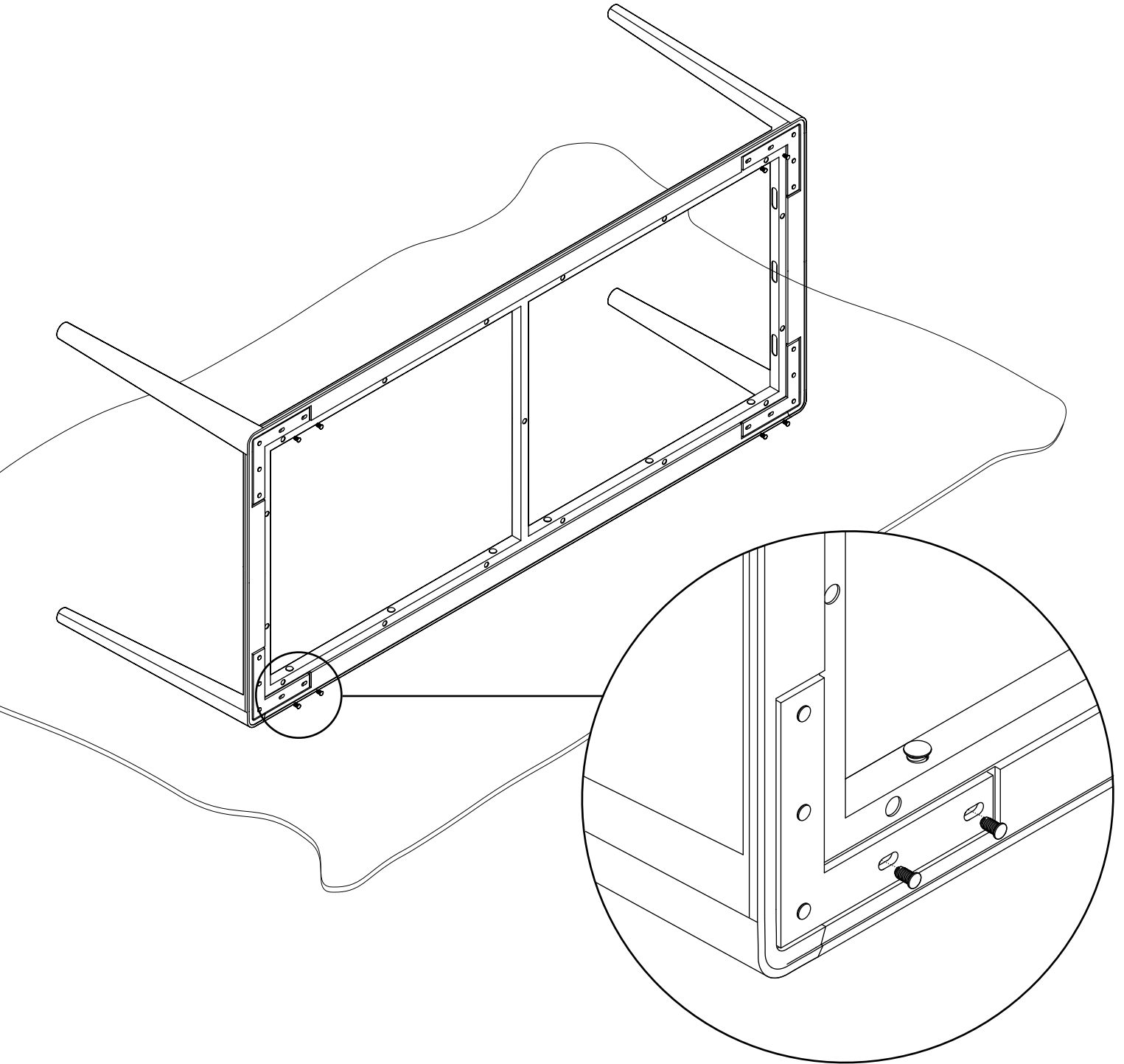
ON A BLANKET, TILT THE METAL FRAME ONTO THE SIDE AND PLACE ONE SET OF THE LEGS INTO POSITION. ENSURE THAT THE METAL L SITS CORRECTLY IN ITS POSITION.  
FIX ONLY THE 3 SCREWS WHICH CONNECT THE WOODEN LEGS TO THE ENDS OF THE METAL FRAME.  
REPEAT ON THE OTHER SIDE.  
CHECK AND TIGHTEN THE INSERTED SCREWS.



SMITH TABLE WITH WOOD TOP

---

STRUCTURE ASSEMBLY

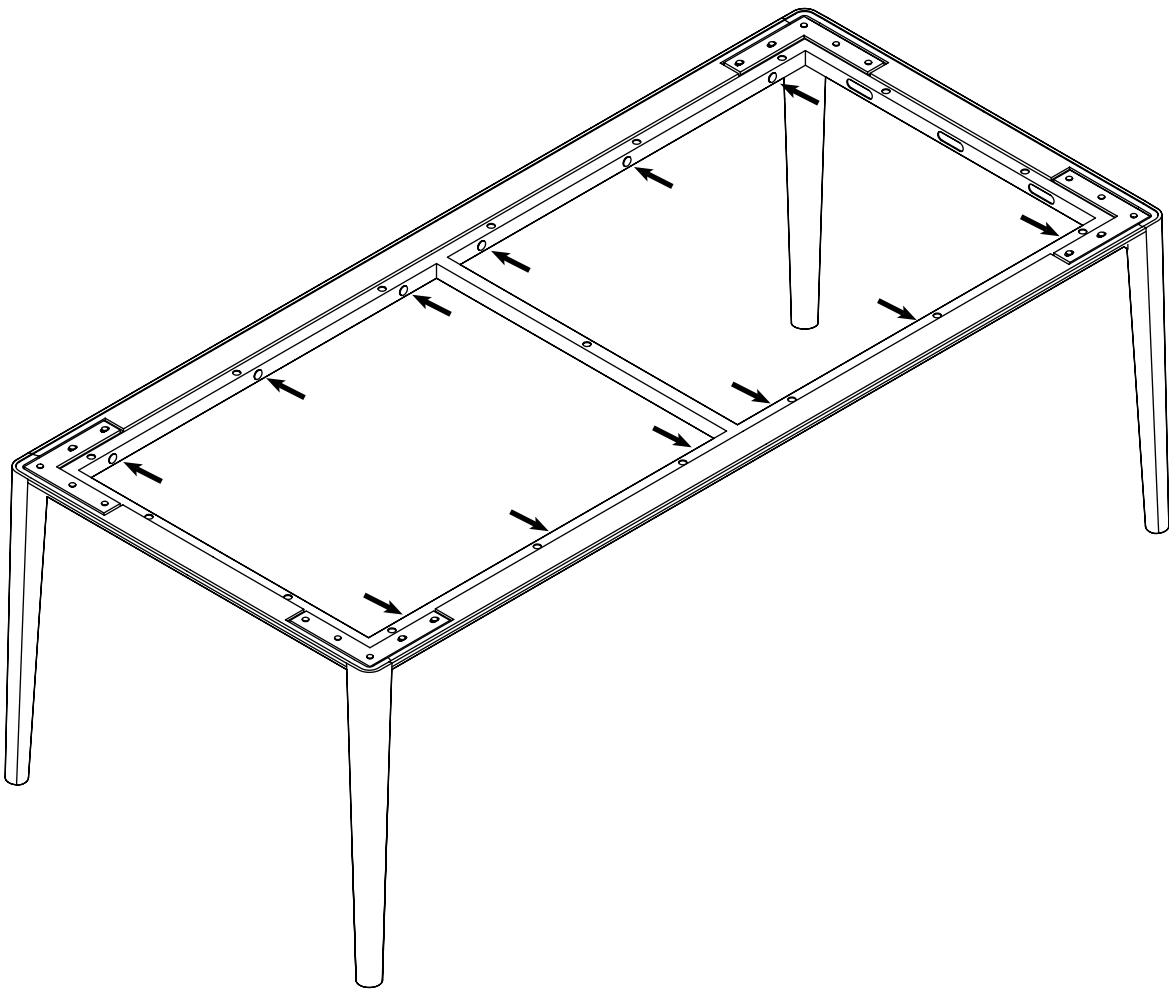


NOW INSERT THE SCREWS FIXING THE METAL L ONTO THE WOODEN SIDES AND TIGHTEN.  
REPEAT THE STEP ON THE OTHER SIDE.

SMITH TABLE WITH WOOD TOP

---

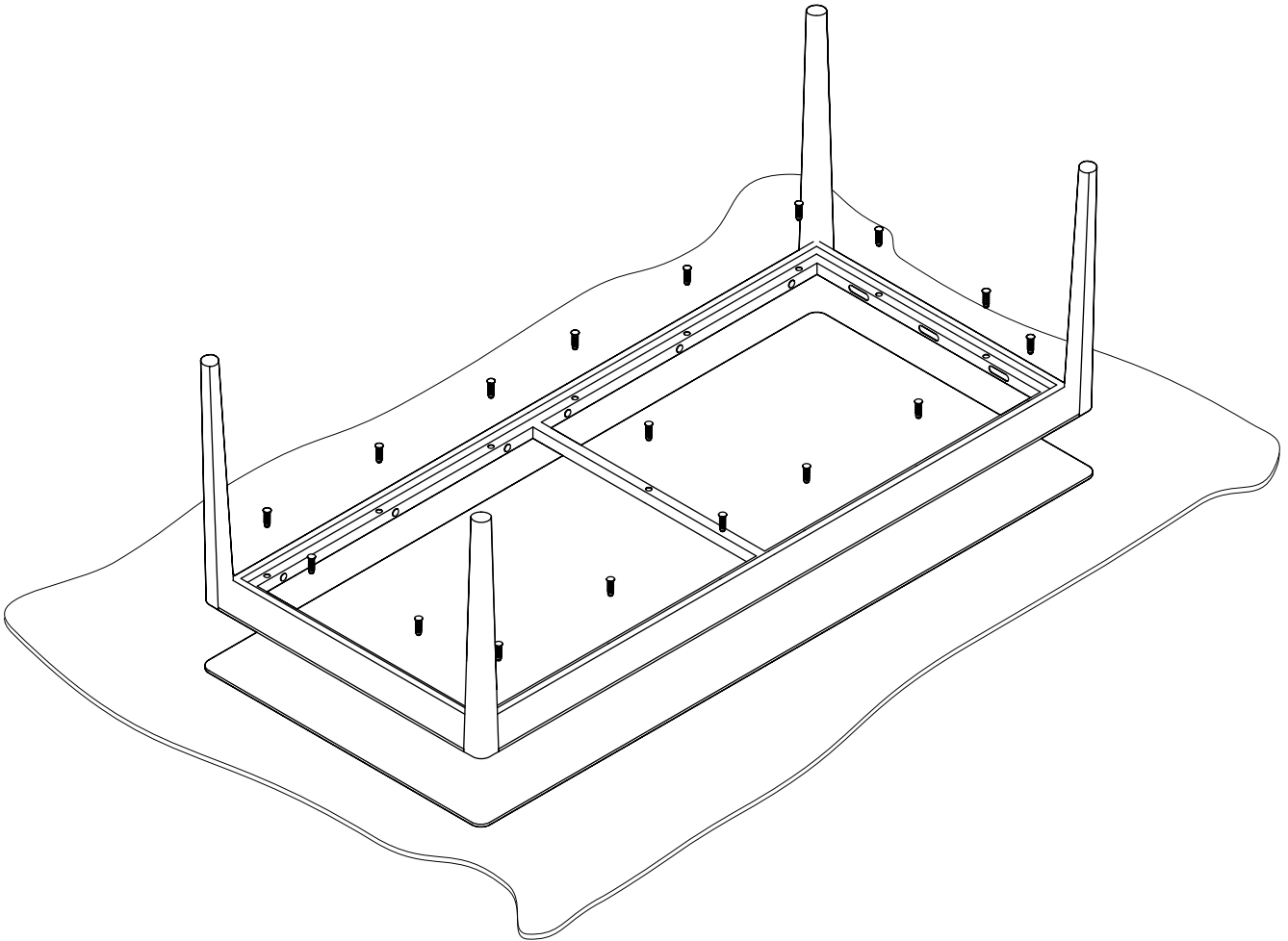
STRUCTURE ASSEMBLY



TIGHTEN ALL THE SCREWS WHICH FIX THE WOODEN SIDES ONTO THE METAL FRAME.  
MAKE SURE THAT ALL SCREWS ARE TIGHTENED.

---

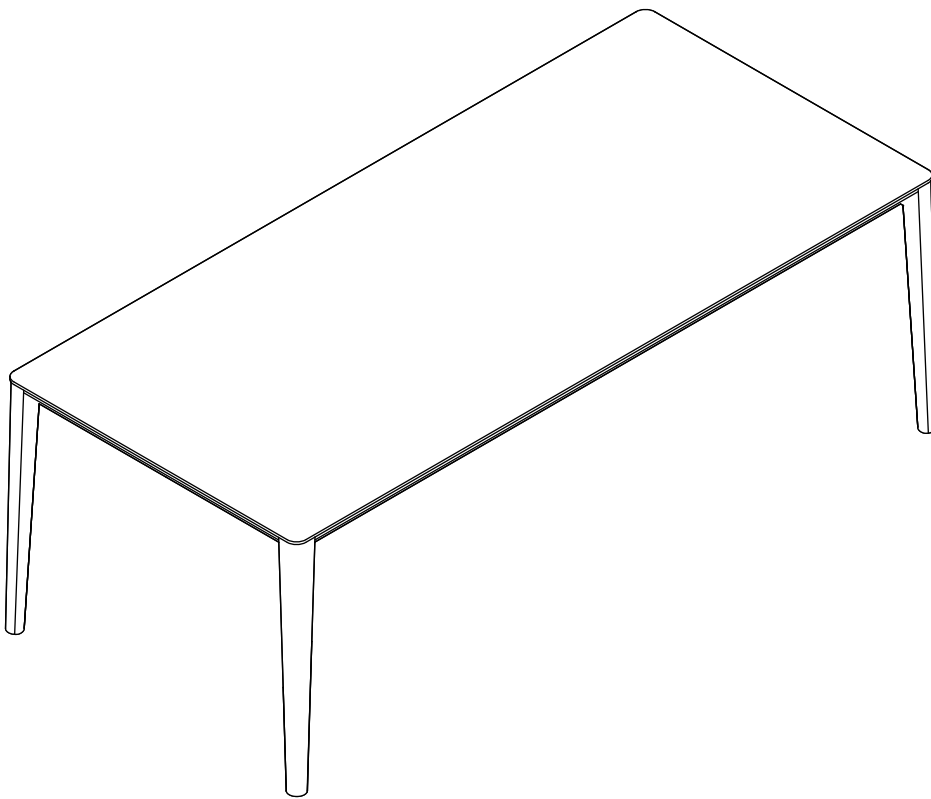
WOOD TOP ASSEMBLY



PLACE THE TABLE TOP ON A BLANKET WITH THE UNDERSIDE FACING UP.  
PLACE THE ASSEMBLED TABLE STRUCTURE ONTO THE WOODEN TOP AND GENTLY REASSEMBLE THE TOP  
WITH ALL SCREWS.  
DO NOT OVER-TIGHTEN THE SCREWS.

SMITH TABLE

---



PLACE THE TABLE ON ITS LEGS, MAKING SURE THAT IT IS STABLE.  
IF THE TABLE STRUCTURE IS MOVING TOO MUCH, RE-CHECK THAT ALL SCREWS ARE TIGHTENED  
CORRECTLY.

SPØ1

# ASSEMBLY INSTRUCTIONS

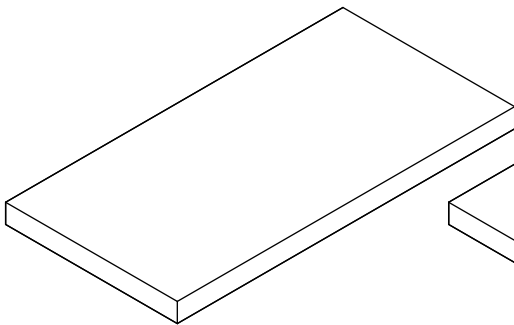
---

## SMITH TABLE WITH GLASS TOP

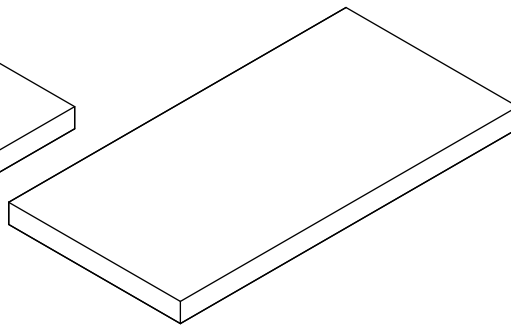
SMITH TABLE WITH GLASS TOP

PACKAGING  
PARTS

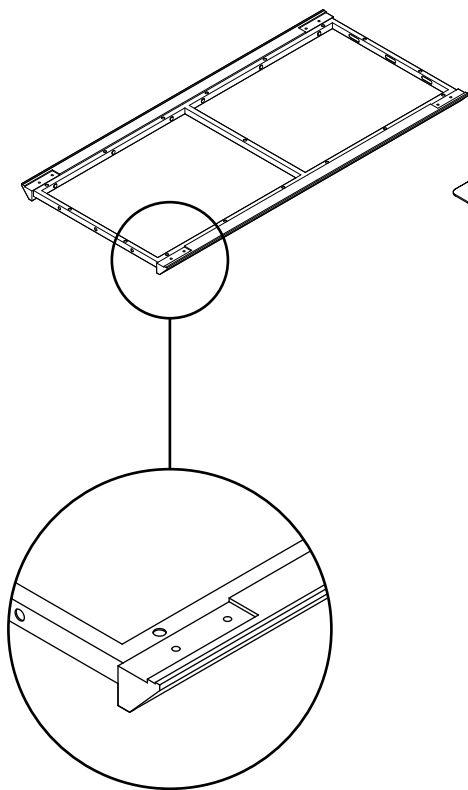
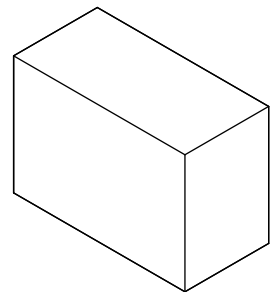
BOX WITH FRAME



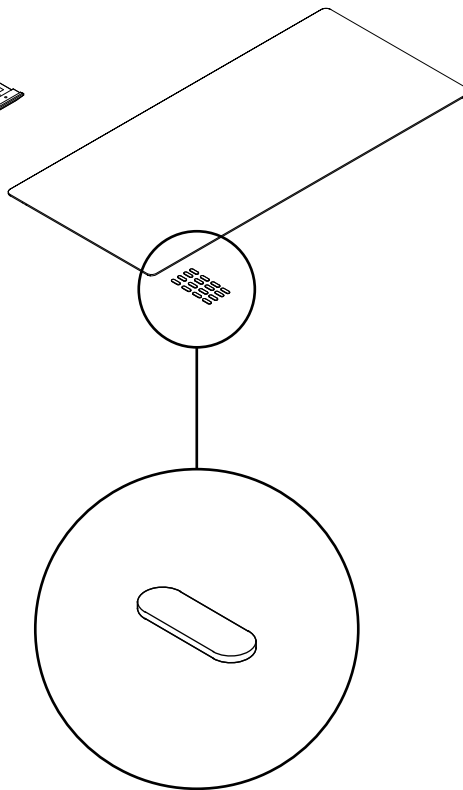
WOODEN CRATE WITH GLAS TOP



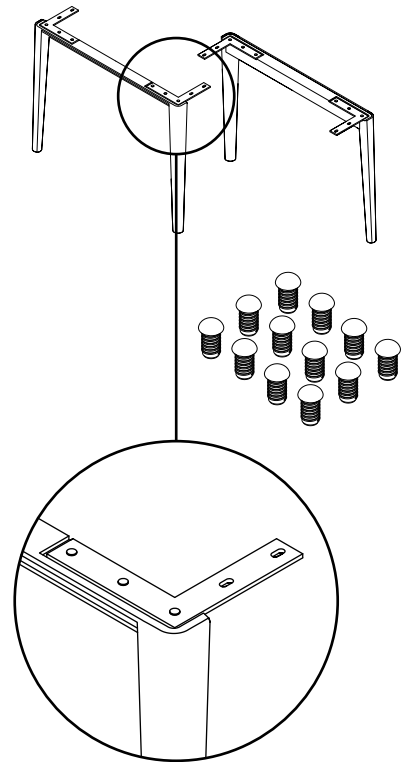
BOX WITH LEGS



METAL FRAME WITH  
WOODEN SIDES



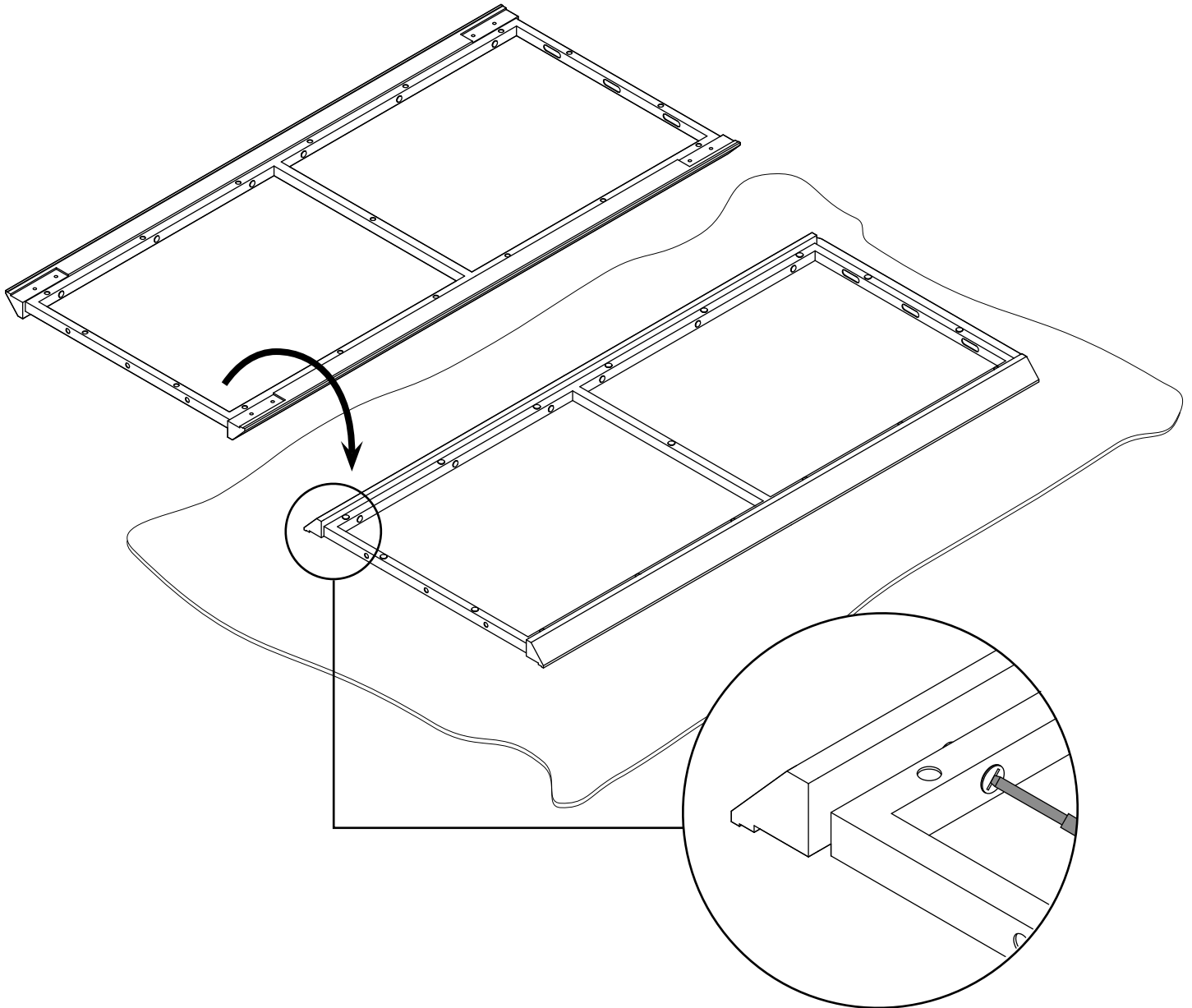
SELF-ADHESIVE RUBBERS



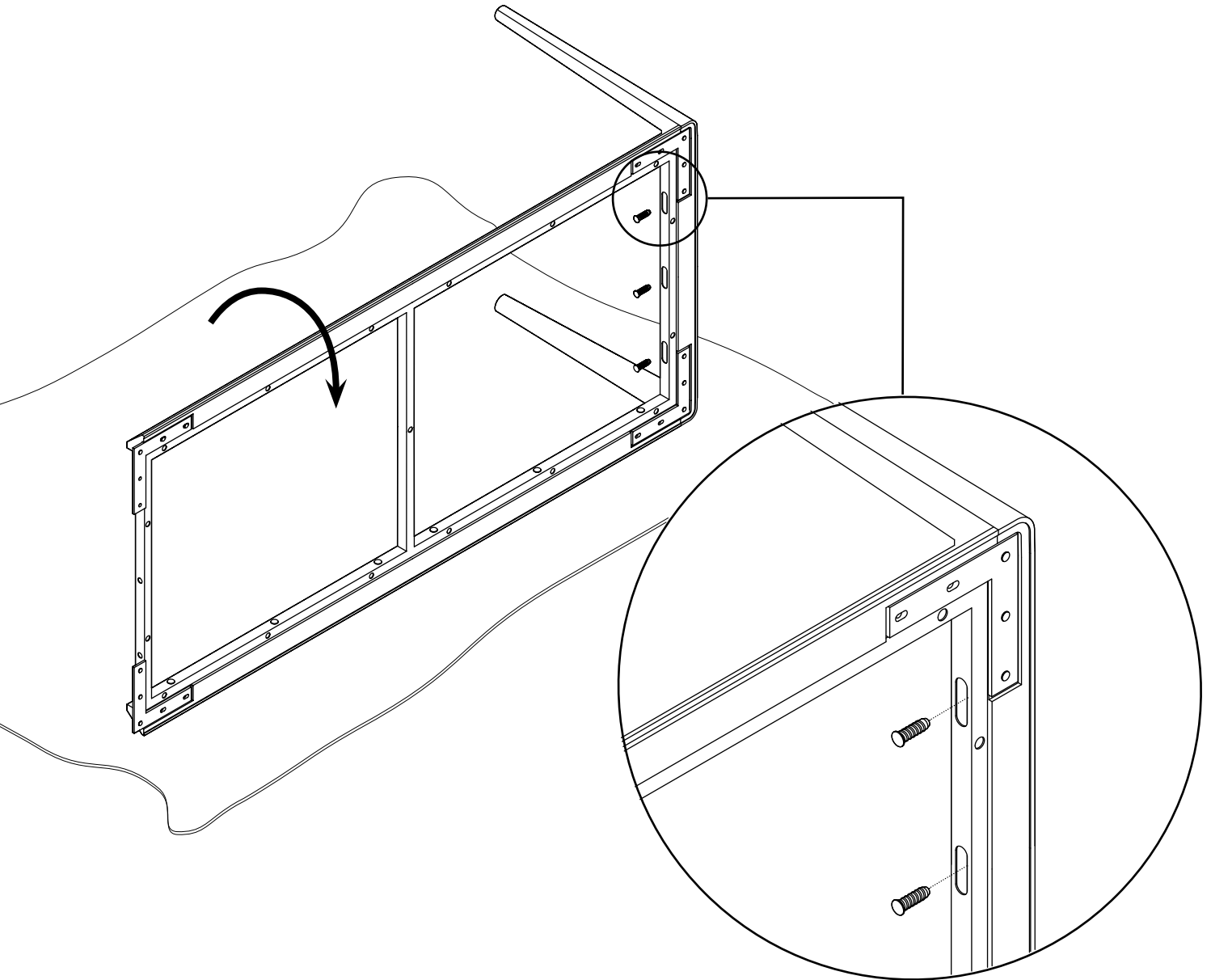
LEG WITH METAL L,  
SCREWS FOR ASSEMBLY

SMITH TABLE WITH GLASS TOP

STRUCTURE ASSEMBLY



PLACE THE FRAME UPSIDE DOWN ONTO A SOFT AND CLEAN SURFACE SUCH AS A BLANKET ON THE FLOOR.  
GENTLY LOOSEN THE SCREWS WHICH FIX THE WOODEN SIDES ONTO THE METAL FRAME.  
DO NOT UNSCREW THE WOODEN SIDES.

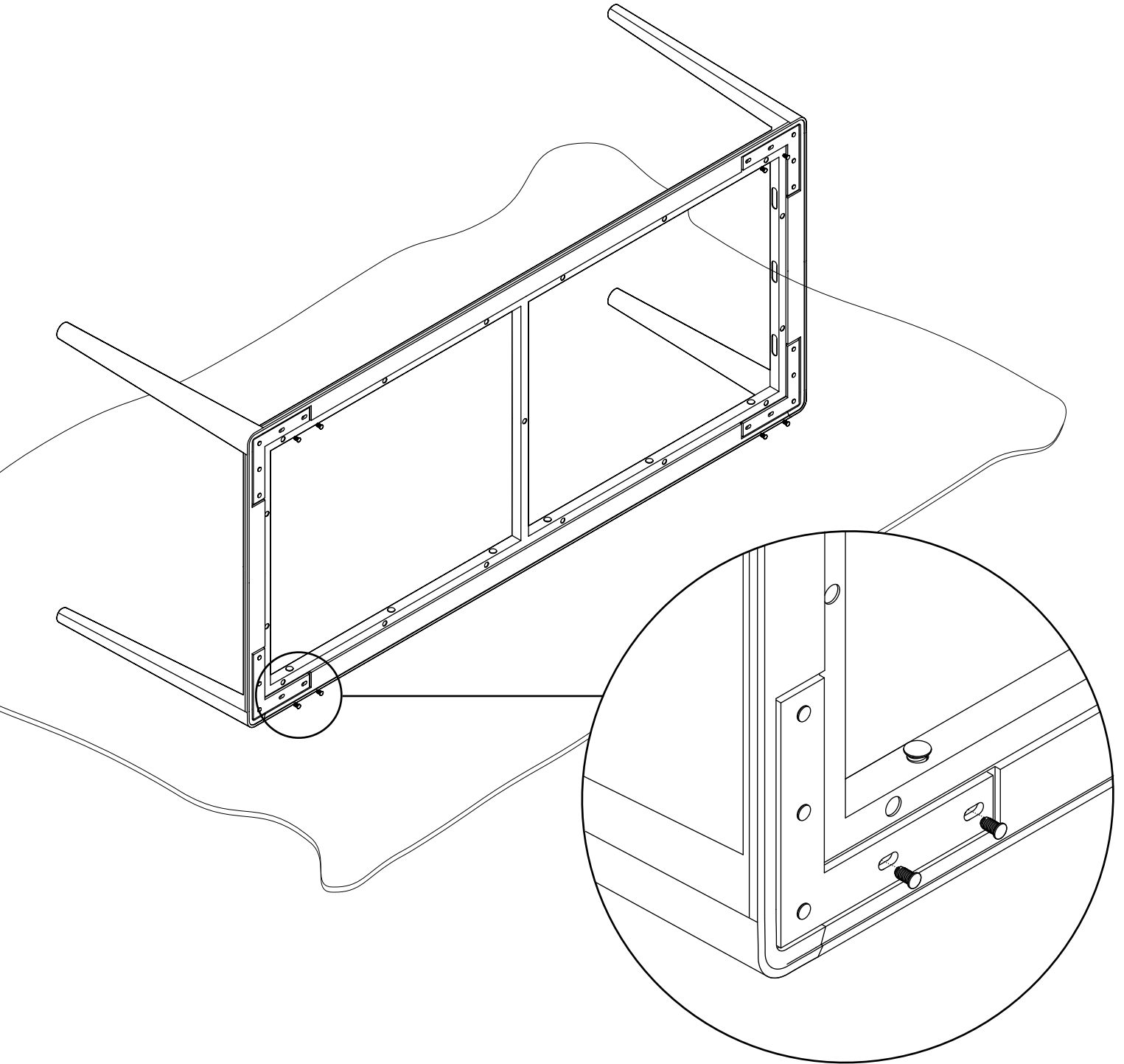
SMITH TABLE WITH GLASS TOPSTRUCTURE ASSEMBLY

ON A BLANKET, TILT THE METAL FRAME ONTO THE SIDE AND PLACE ONE SET OF THE LEGS INTO POSITION. ENSURE THAT THE METAL L SITS CORRECTLY IN ITS POSITION.  
FIX ONLY THE 3 SCREWS WHICH CONNECT THE WOODEN LEGS TO THE ENDS OF THE METAL FRAME.  
REPEAT ON THE OTHER SIDE.  
CHECK AND TIGHTEN THE INSERTED SCREWS.



SMITH TABLE WITH GLASS TOP

STRUCTURE ASSEMBLY

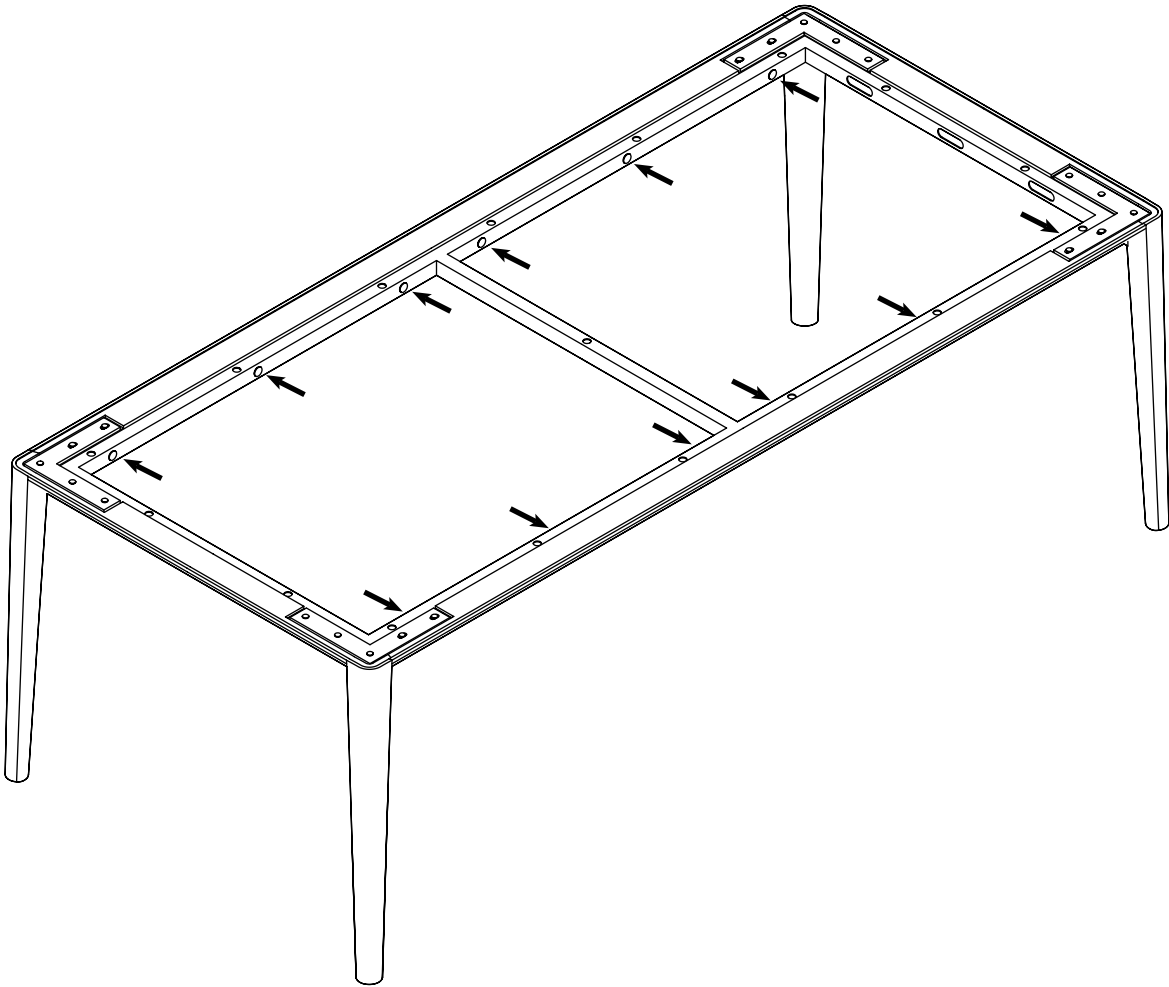


NOW INSERT THE SCREWS FIXING THE METAL L ONTO THE WOODEN SIDES AND TIGHTEN.  
REPEAT THE STEP ON THE OTHER SIDE.

SMITH TABLE WITH GLASS TOP

---

STRUCTURE ASSEMBLY

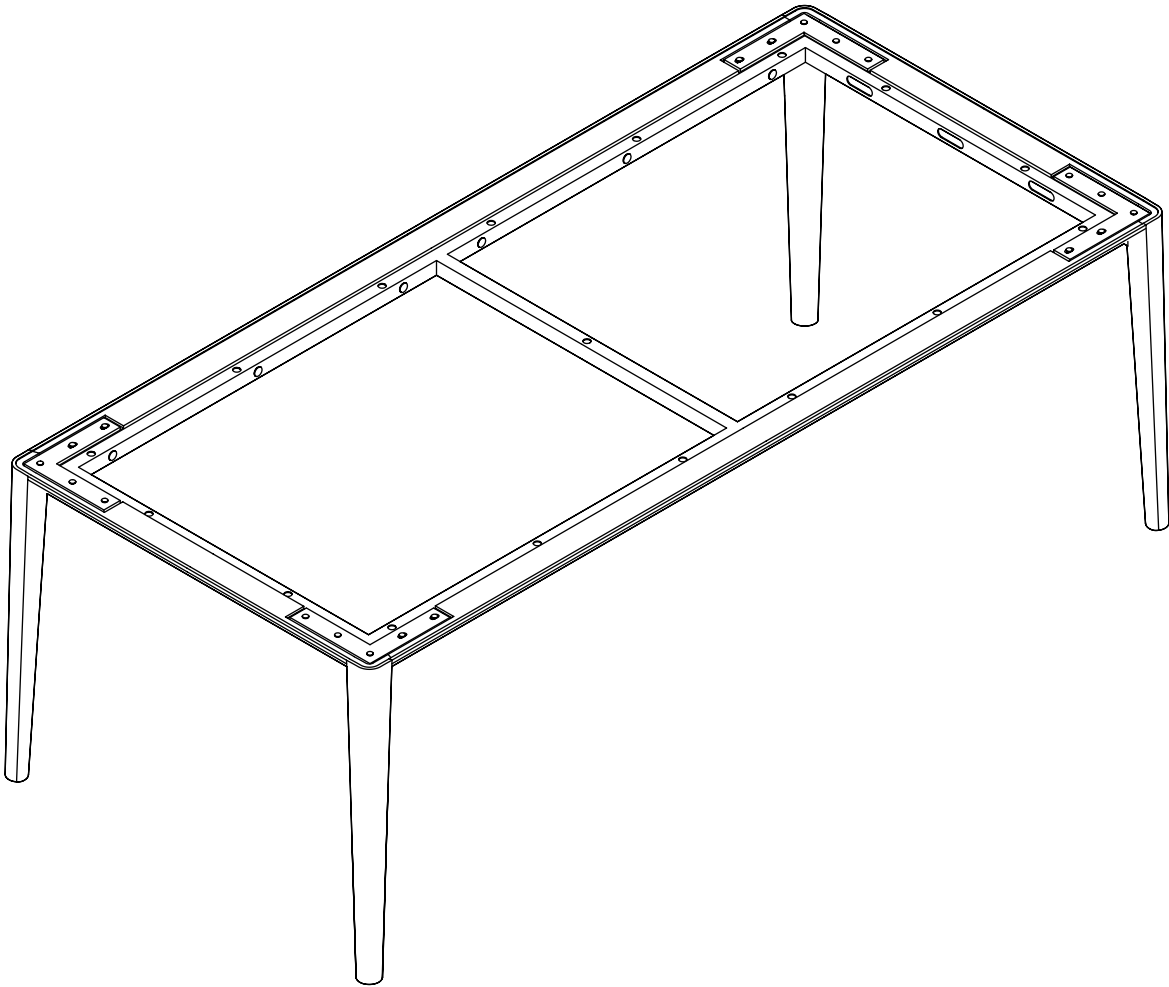


TIGHTEN ALL THE SCREWS WHICH FIX THE WOODEN SIDES ONTO THE METAL FRAME.  
MAKE SURE THAT ALL SCREWS ARE TIGHTENED.

SMITH TABLE WITH GLASS TOP

---

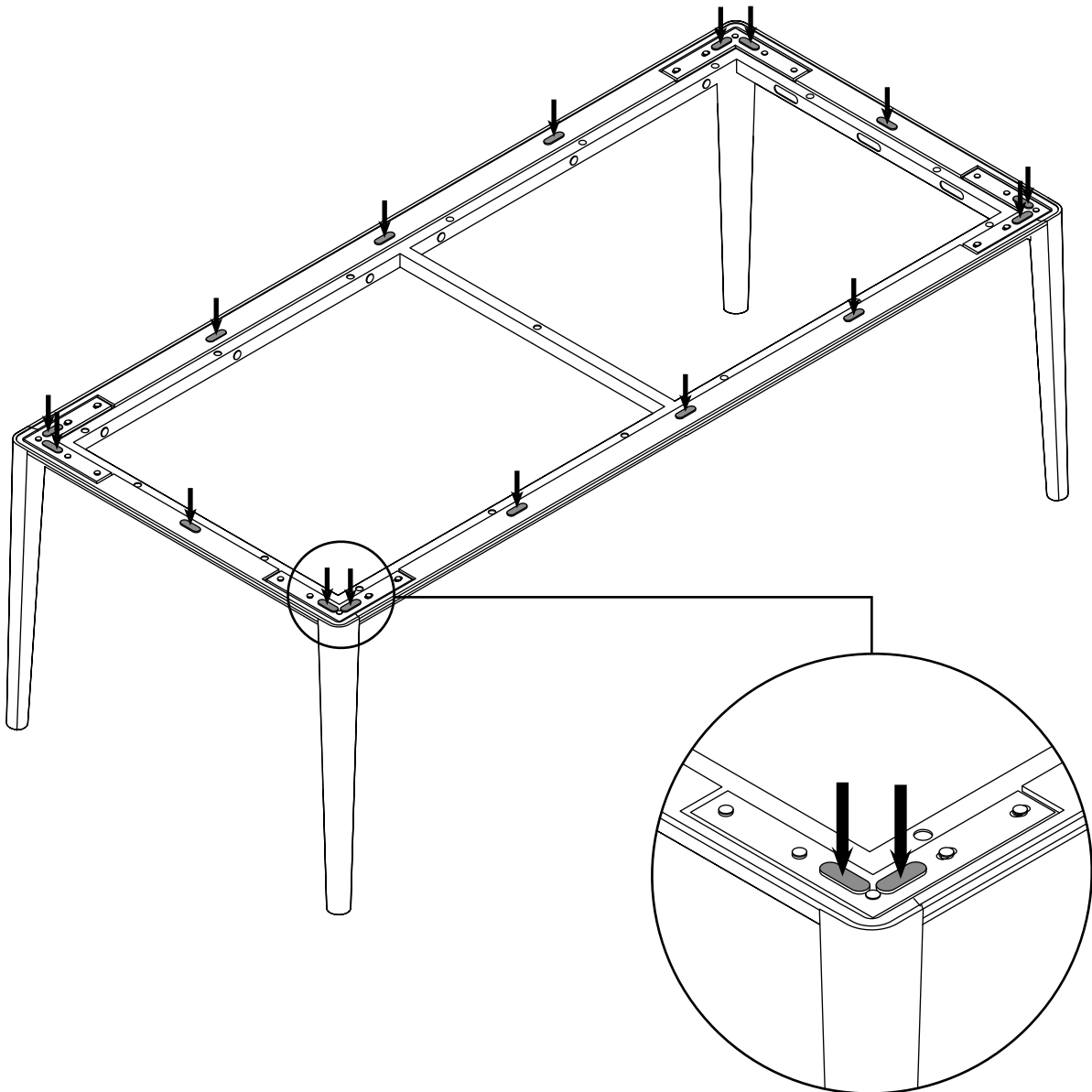
STRUCTURE ASSEMBLY



IF THE TABLE STRUCTURE IS MOVING TOO MUCH, RE-CHECK THAT ALL SCREWS ARE TIGHTENED CORRECTLY.

SMITH TABLE WITH GLASS TOP

GLAS TOP ASSEMBLY

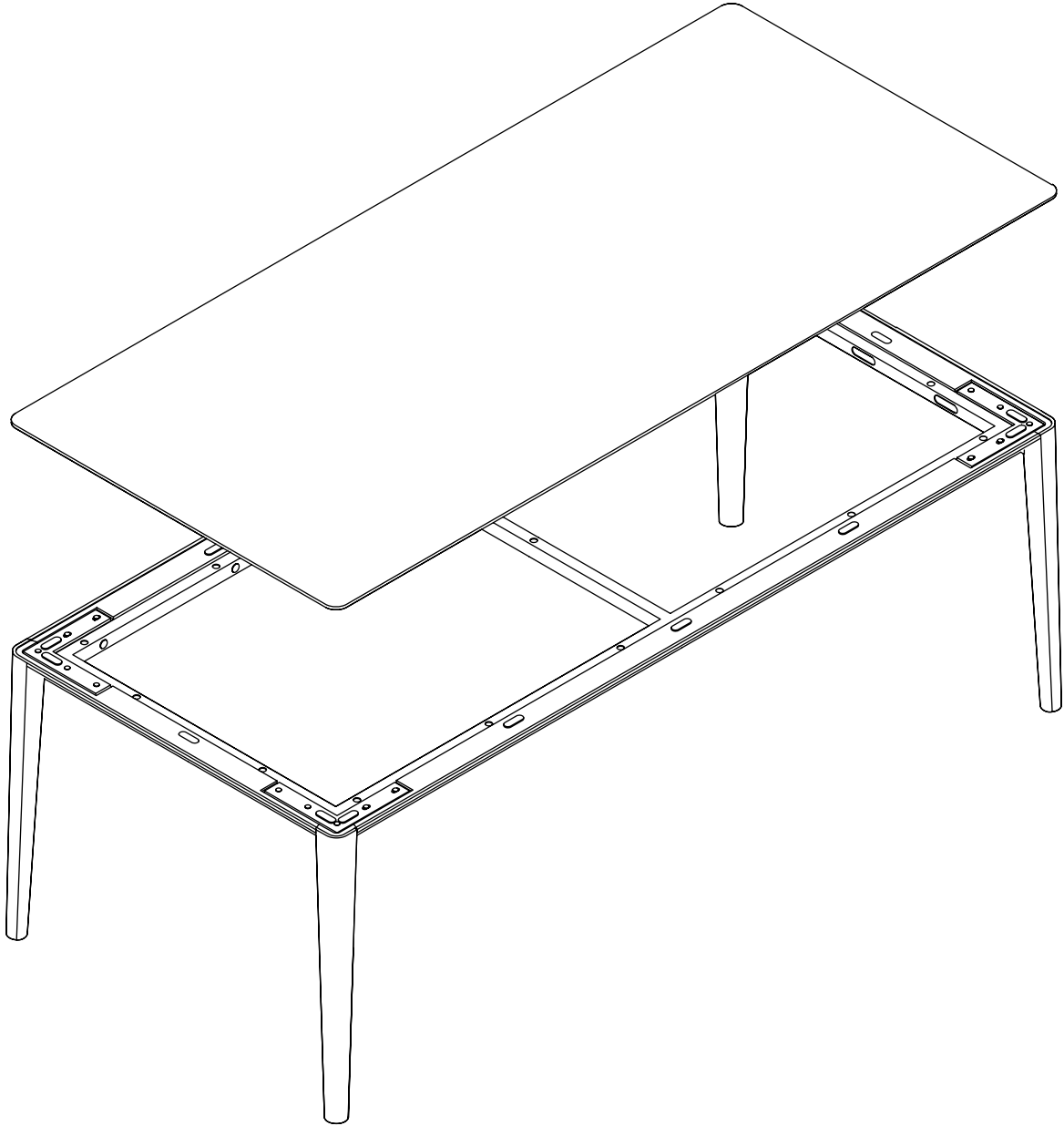


INSIDE THE PACKAGING/ATTACHED TO THE GLASS TOP ARE SELF-ADHESIVE RUBBER PADS.  
GLUE THE RUBBER PADS ONTO THE WOODEN STRUCTURE AS SHOWN ABOVE.

SMITH TABLE WITH GLASS TOP

---

GLAS TOP ASSEMBLY



PLACE THE GLASS TOP ONTO THE STRUCTURE.  
THE TOP SHOULD HAVE A CONSISTENT 2MM SHADOW LINE ON ALL SIDES.

SMITH TABLE WITH GLASS TOP

---

