

EILEEN

DESIGNED BY TOM FEREDAY

ASSEMBLY INSTRUCTIONS





DISCLAIMER

THE ASSEMBLY INSTRUCTIONS ARE TO BE USED AS A GUIDE SHOWING THE CONCEPT OF THE TABLE. IT WILL NOT BE NECESSARILY IDENTICAL TO THE TABLE YOU HAVE PURCHASED.

ENSURE THAT ALL STEPS ARE FOLLOWED IN THE CORRECT ORDER AND THAT NO STEP IS LEFT OUT.
A MINIMUM OF TWO PEOPLE ARE REQUIRED FOR ASSEMBLY.

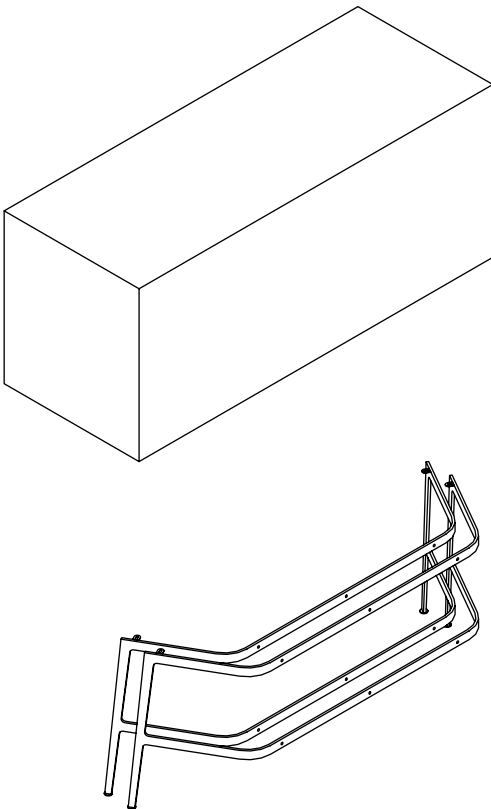
TO PREVENT ANY DAMAGE OF THE PRODUCT, DO NOT USE A BOX CUTTER, KNIFE OR SHARP OBJECT TO OPEN THE BOXES.

DO NOT LIFT THE TABLE BY ITS TOP. IF YOU HAVE TO LIFT THE TABLE, LIFT IT BY HOLDING ONTO THE METAL STRUCTURE.

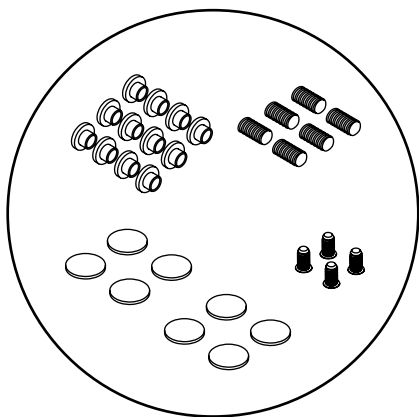
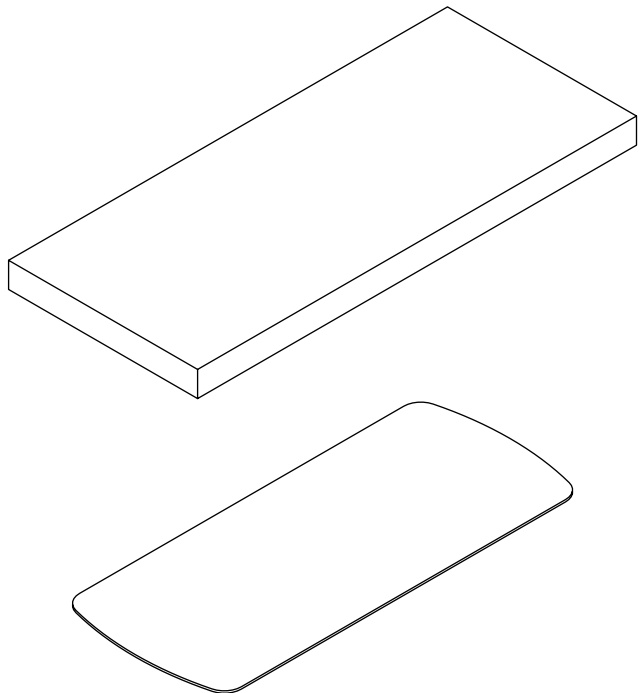
EILEEN TABLE

PACKAGING
PARTS

BOX WITH METAL STRUCTURE



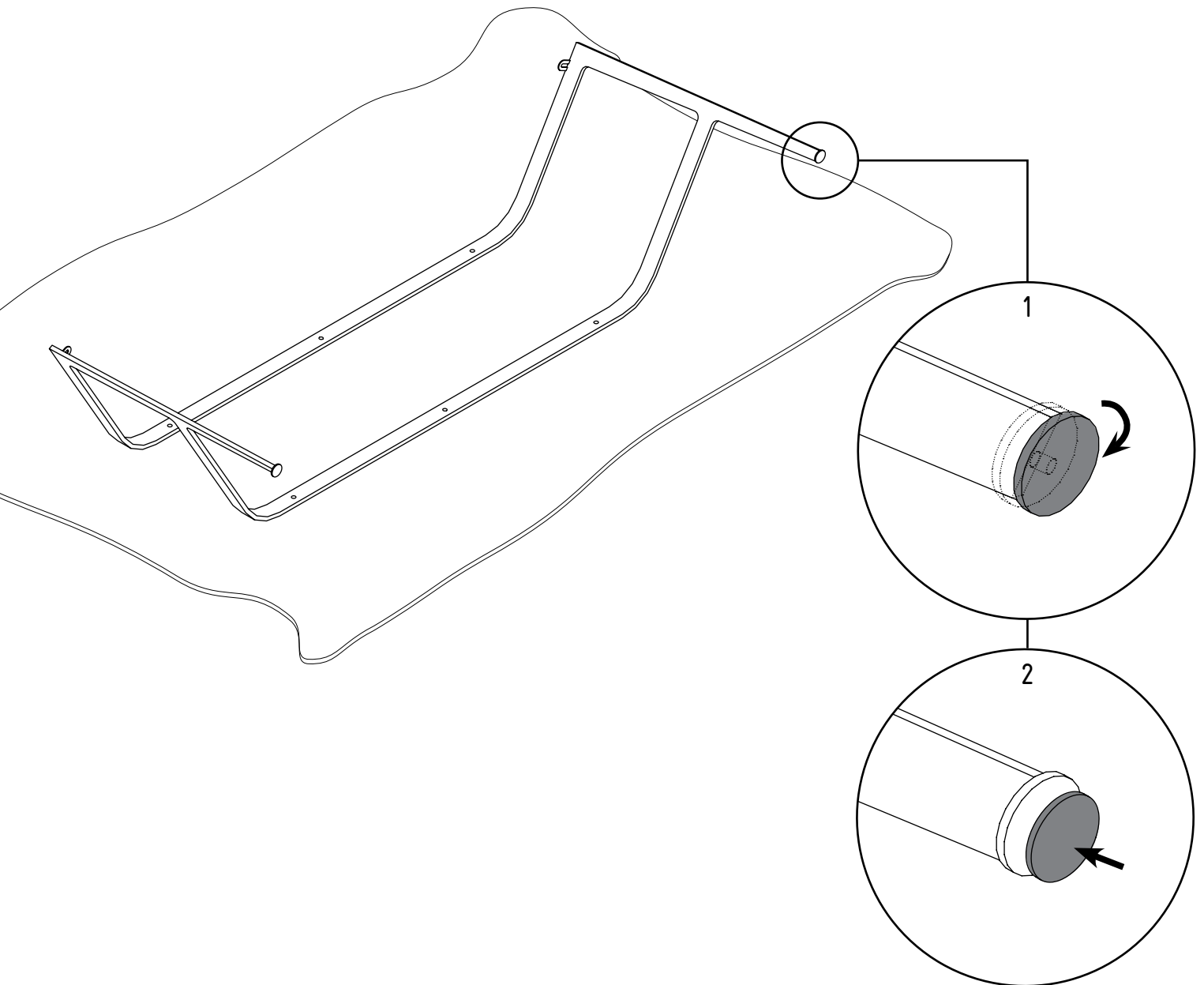
BOX WITH TOP



SET OF LEGS, 12 METAL DISKS,
6 THREADS, 4 SCREWS, SET OF 4
FELT FEET AND PLASTIC FEET

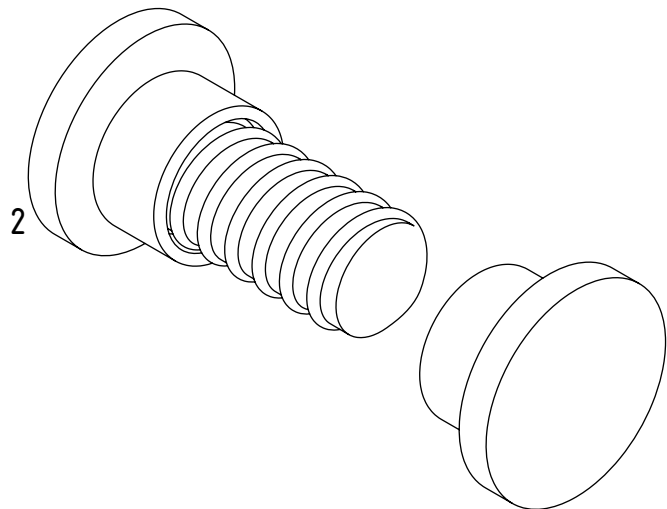
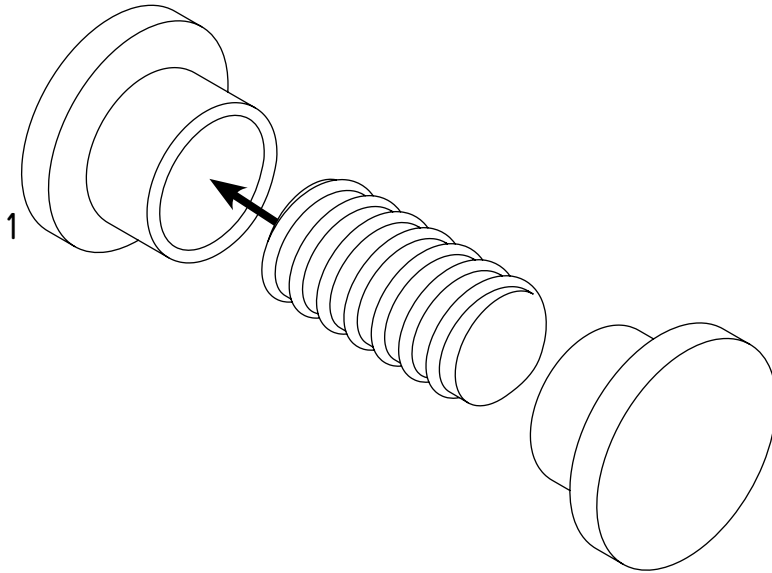
HPL OR WOOD TOP,
PRE-ASSEMBLED ONTO
A METAL STRUCTURE

STRUCTURE ASSEMBLY



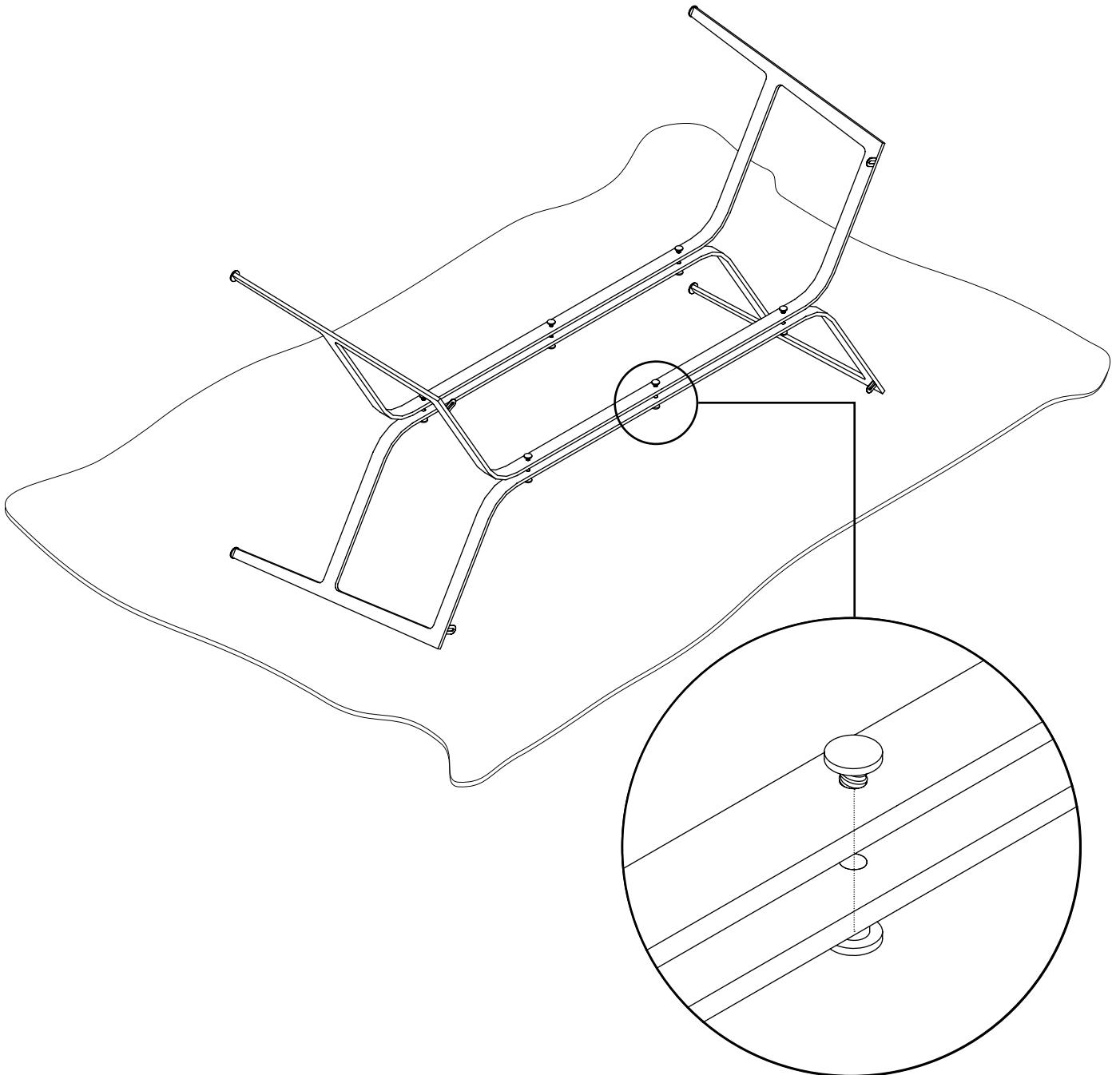
REMOVE THE TABLE LEGS FROM THE PACKAGING, PLACING THEM ONTO A SOFT AND CLEAN SURFACE SUCH AS A BLANKET IN ORDER TO PROTECT THE LACQUER SURFACE.
MAKE SURE THAT EH ADJUSTABLE FEET ARE LOOSENEED (1).
DEPENDING ON THE DESTINATION OF OUR TABLE, PLACE THE FELT FEET OR THE PLASTIC FEET ONTO LEG METAL FEET (2). WE RECOMMEND FELT FOR INDOOR AND PLASTIC FOR OUTDOOR.

STRUCTURE ASSEMBLY



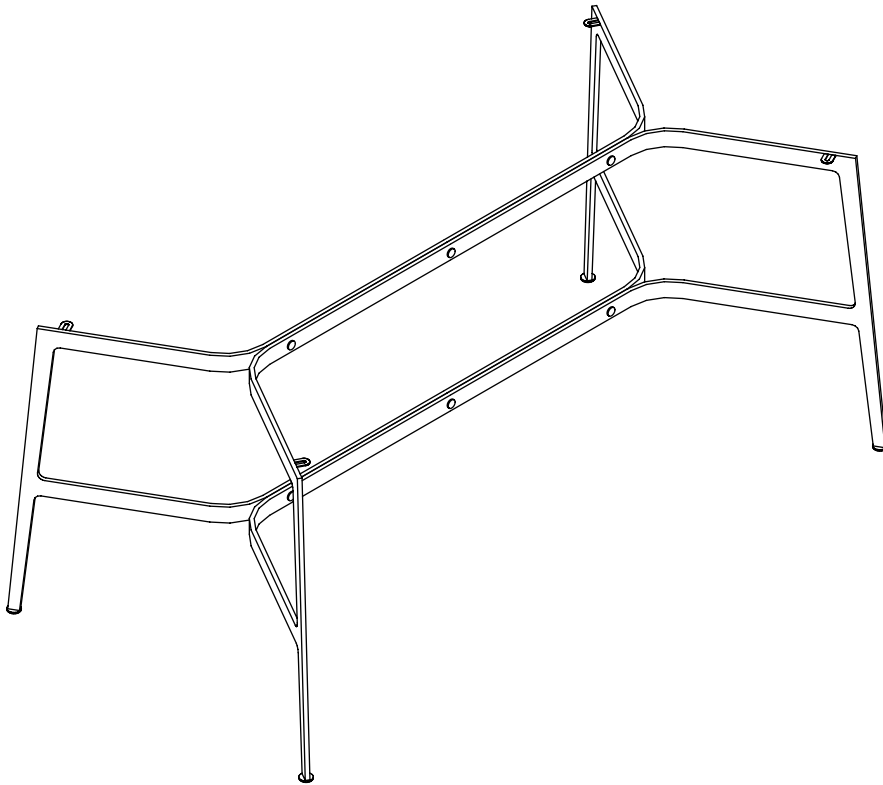
ASSEMBLE THE SCREWS BY SCREWING ONE SIDE OF THE FILLET INTO THE WASHER (1). KEEP THE REMAINING WASHER ASIDE (2), YOU WILL NEED THEM TO FIX THE TWO LEG SIDES TOGETHER.

STRUCTURE ASSEMBLY



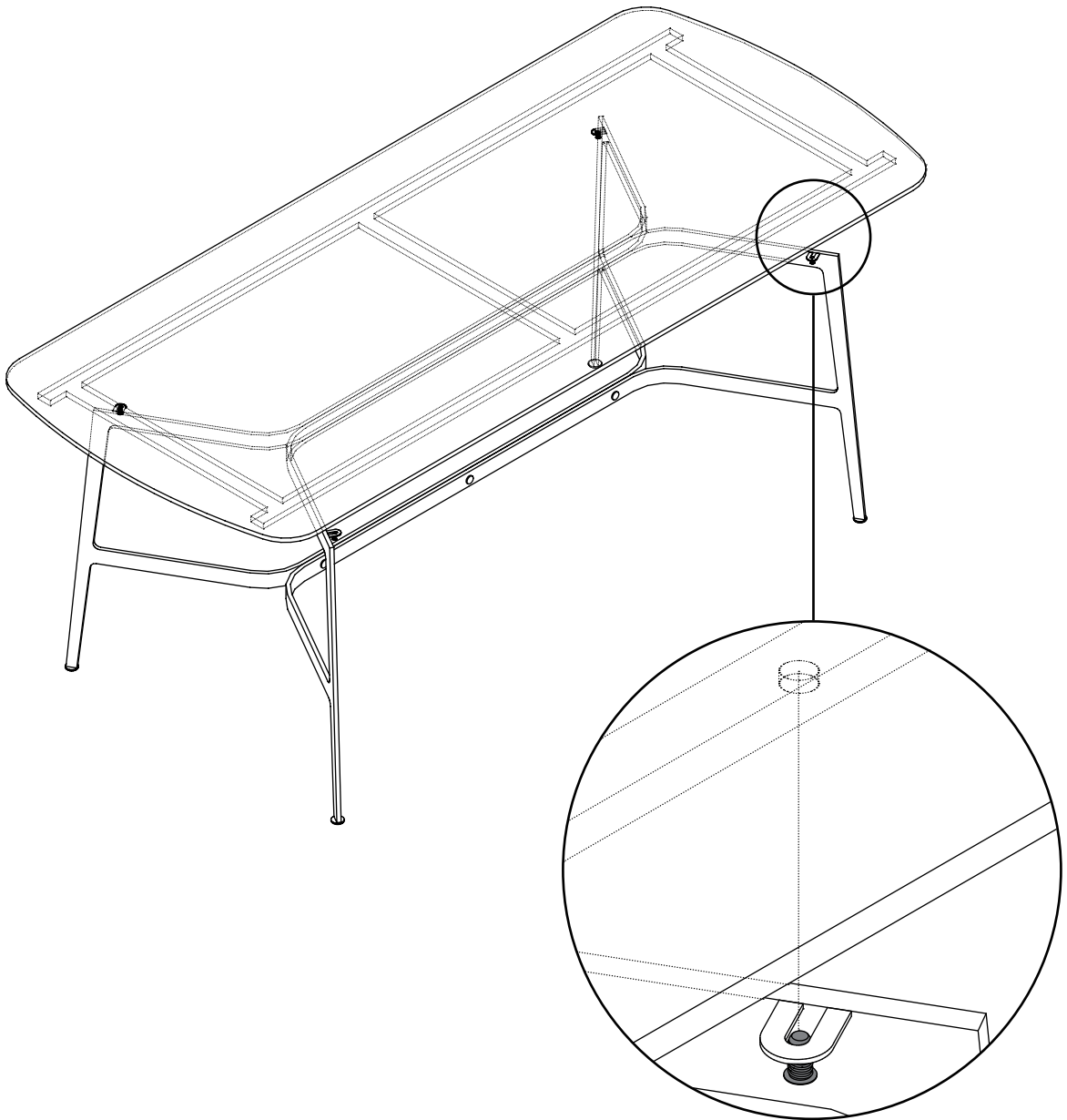
PLACE ONE TABLE LEG FLAT ONTO A BLANKET, THEN PLACE THE SECOND SET OF TABLE LEGS ON TOP. CENTRE THE HOLES AND INSERT THE HALF ASSEMBLED SCREWS. CLOSE THE SCREWS WITH THE REMAINING WASHERS AND TIGHTEN ALL SCREWS GRADUALLY.

STRUCTURE ASSEMBLY



PLACE THE STRUCTURE ON ITS LEGS, MAKING SURE THAT IT IS STABLE.
IF THE TABLE STRUCTURE MOVES TOO MUCH, CHECK AND TIGHTEN ALL THE SCREWS.

TOP ASSEMBLY



REMOVE THE TOP FROM ITS BOX AND PLACE IT ONTO THE ASSEMBLED METAL STRUCTURE.
IF YOU HAVE A MARBLE TOP, REMOVE THE SCREWS AND WASHER ALREADY INSERTED INTO THE TOP.
FIX THE TABLE TOP ONTO THE STRUCTURE BY USING THE PROVIDED HARDWARE.
DO NOT MOUNT THE TABLE TOP UPSIDE DOWN, AS THE WEIGHT CAN DAMAGE THE TABLE WHEN PUTTING
IT INTO ITS POSITION. GRADUALLY TIGHTEN ALL SCREWS.

EILEEN TABLE

