

SPØ1DESIGN.COM

MICHELLE

MIRROR COLLECTION



MICHELLE MIRROR COLLECTION



MICHELLE MIRROR

A family of mirrors featuring a sophisticated blend of materials including steel, smoked mirror and marble.

Michelle is gracefully drawn from a tubular frame and embellished with a series of marble trays that make it the perfect valet.

MATERIALS

Frame made of steel tube, finished in RAL9017 black or RAL9002 white.

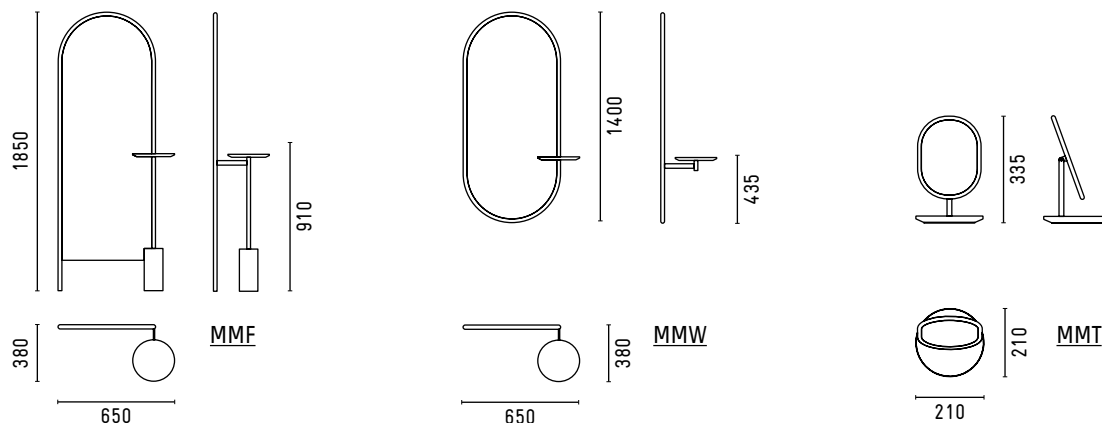
Mirror available in smoked or clear finish.

Service elements always positioned on the right side when facing. Available in polished marble, Bianco Carrara or Nero Marquina.

DESIGNER

Tim Rundle, 2017

DIMENSIONS



MICHELLE MIRROR COLLECTION

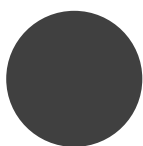
MATERIAL

Frame: Metal lacquered in different finishes.

Marble: Available in different finishes.

Mirror: Mirror standard in smoked finish. Available also in clear mirror finish upon request.

FRAME COLOUR



RAL9017
satin black



RAL9002
satin white

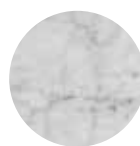


Metallic
pewter

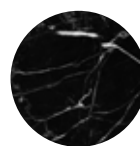


Metallic
brass

MARBLE



Bianco
Carrara



Nero
Marquina

AVAILABLE FINISHES & COMBINATIONS

<u>MARBLE</u>	<u>FRAME</u>	
	Bianco Carrara	Nero Marquina
RAL 9017 black	●	●
RAL9002 white	●	●
Metallic pewter	●	●
Metallic brass	●	●