

HOLLAND CONSOLE

DESIGNED BY METRICA

ASSEMBLY INSTRUCTIONS





DISCLAIMER

ENSURE THAT ALL STEPS ARE FOLLOWED IN THE CORRECT ORDER AND
THAT NO STEP IS LEFT OUT.
A MINIMUM OF TWO PEOPLE ARE REQUIRED FOR ASSEMBLY.

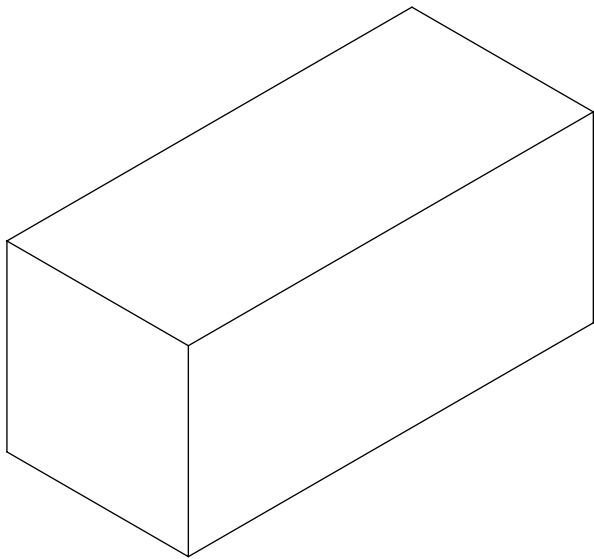
TO PREVENT ANY DAMAGE OF THE PRODUCT, DO NOT USE A BOX CUTTER,
KNIFE OR SHARP OBJECT TO OPEN THE BOXES.

DO NOT LIFT THE TABLE BY ITS TOP. IF YOU HAVE TO LIFT THE TABLE, \
LIFT IT BY HOLDING ONTO THE METAL STRUCTURE.

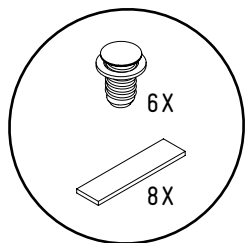
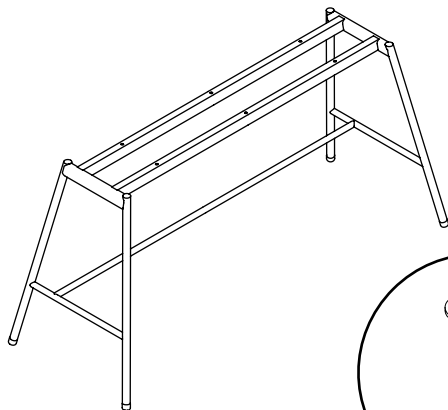
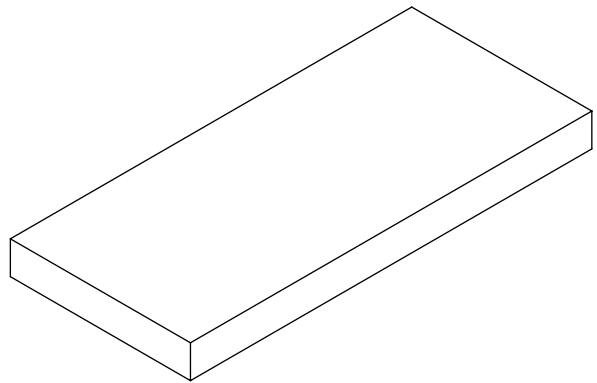
HOLLAND CONSOLE

PACKAGING
PARTS

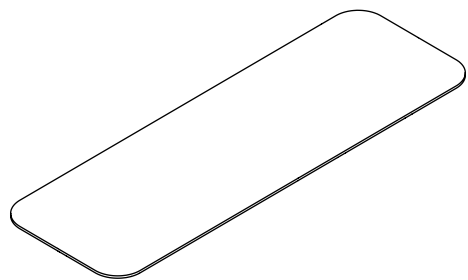
BOX WITH METAL BASE



BOX WITH TOP



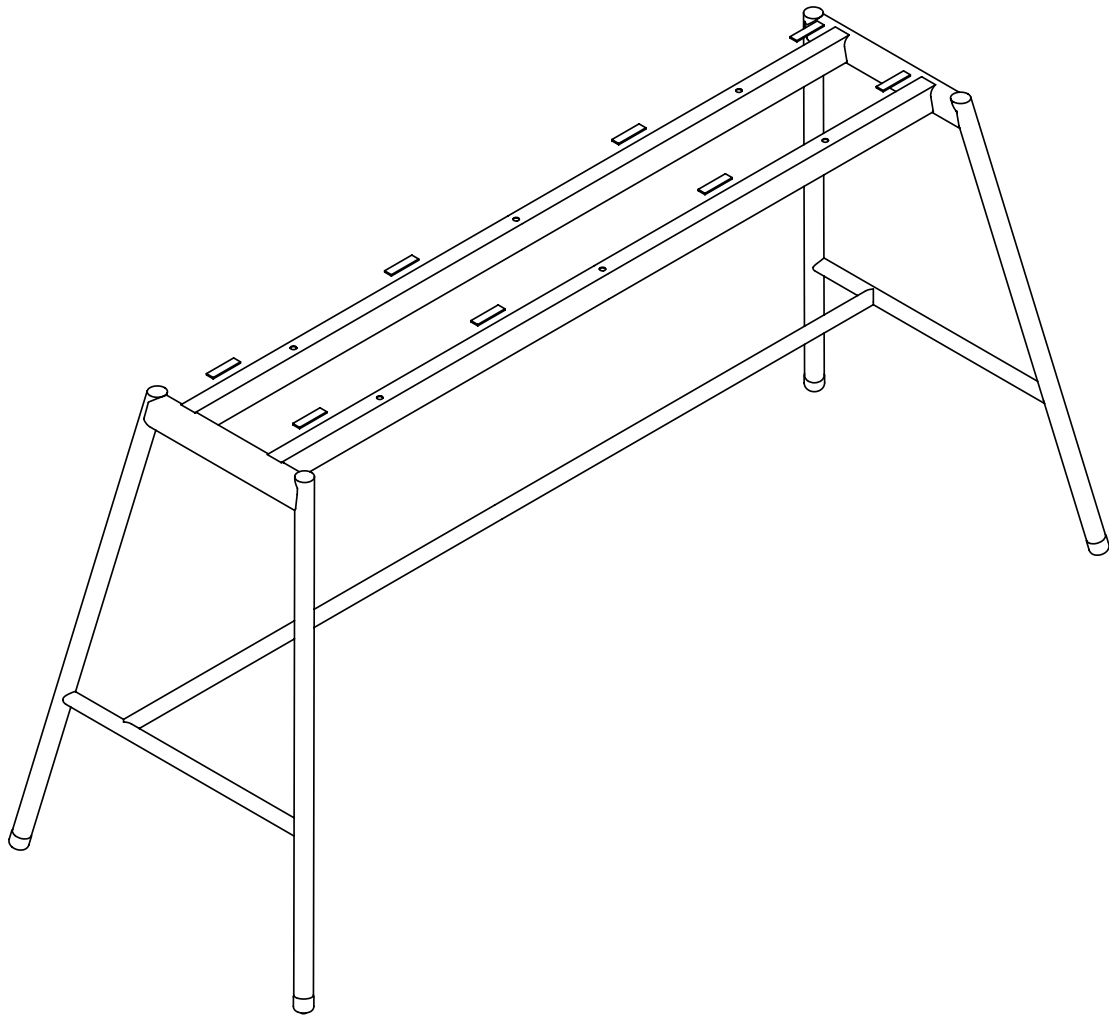
METAL BASE WITH ALREADY
ASSEMBLED FEET, 6 SCREWS AND
WASHERS AND 8 FELT PADS



TOP IN WOOD OR MARBLE

HOLLAND CONSOLE

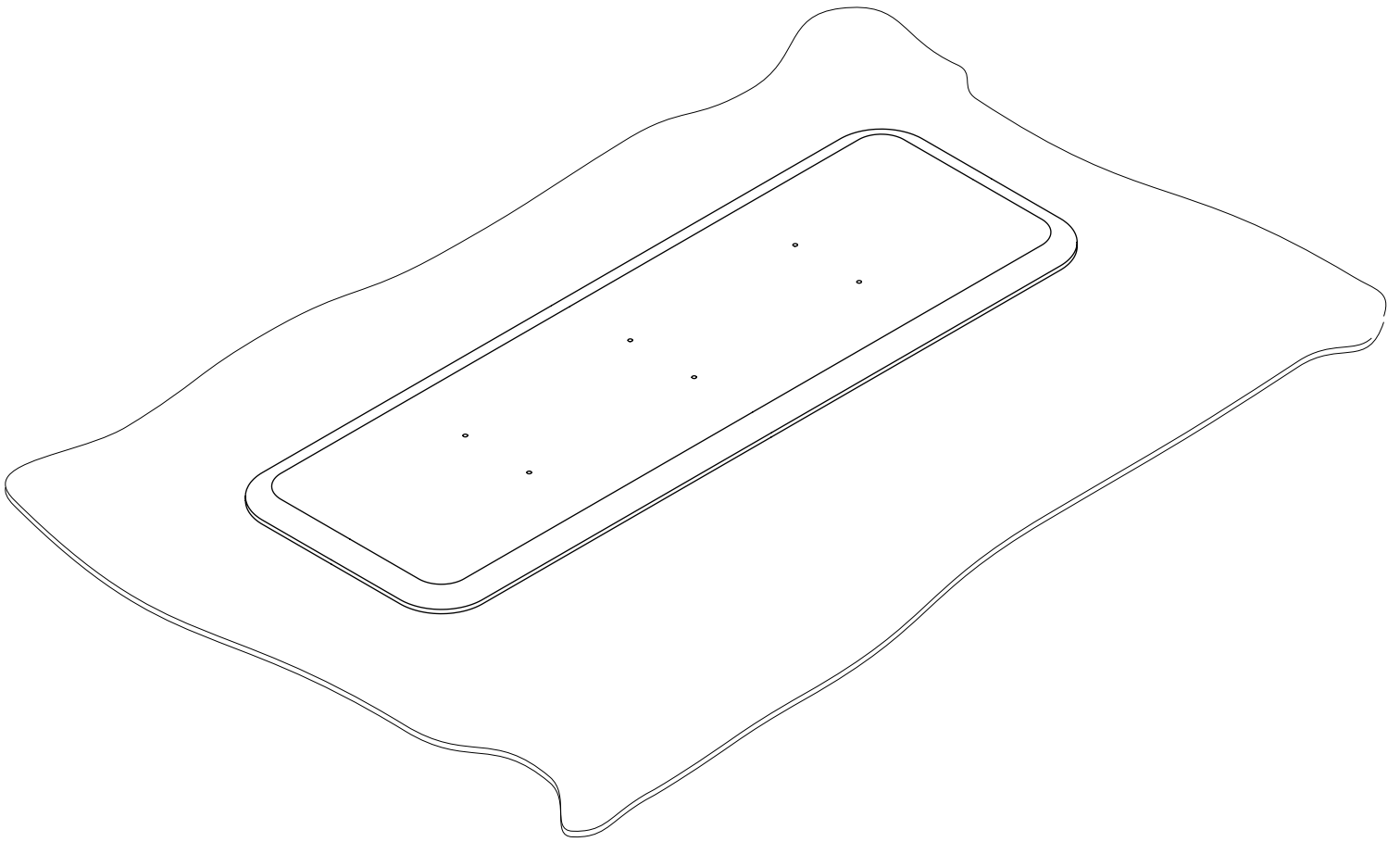
TOP ASSEMBLY



ENSURE THAT THE ADJUSTABLE FEET ARE NOT TOO TIGHT, IN CASE LOOSEN THEM A LITTLE BIT.
IF YOU WISH TO HAVE CONTRASTING FEET, ENSURE TO CHANGE THE FEET.
POSITION THE FELT PADS AS SHOWN ABOVE MAKING SURE THAT THE PADS DO NOT COVER
ANY HOLE.

HOLLAND CONSOLE

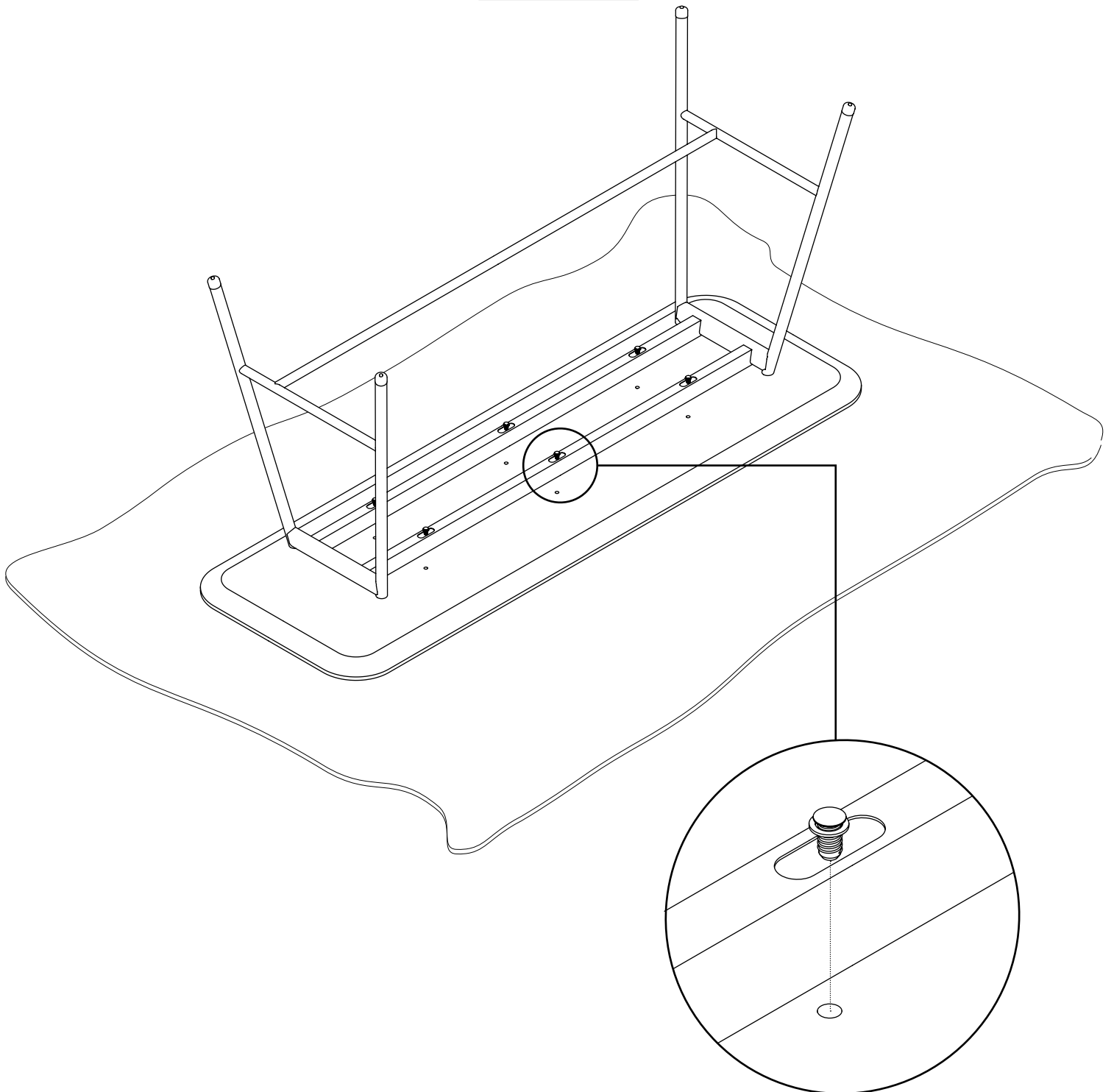
TOP ASSEMBLY



REMOVE THE TOP FROM ITS PACAKGING AND PLACE IT UPSIDE DOWN ON A BLANKET/ SOFT AND CLEAN SURFACE WHICH WILL NOT SCRATCH OR DAMAGE THE TOP.

HOLLAND CONSOLE

TOP ASSEMBLY



PLACE THE METAL BASE ONTO THE TOP.
NOW INSERT THE SCREWS AND WASHERS FIXING THE STRUCTURE ONTO THE TOP USING THE PROVIDED ALLEN KEY.
TIGHTEN ALL THE SCREWS AND PLACE THE DESK ON ITS LEGS.

HOLLAND CONSOLE

