

SPØ1DESIGN.COM

# EILEEN

COLLECTION



SPØ1DESIGN.COM  
EILEEN COLLECTION



EILEEN 220 / 260

Eileen is an outdoor table collection with an industrial-edge.

The design is strongly defined by its frame - a central stretcher rail made from two folded stainless steel sections which connect to tapered blade legs with a perfect disc shaped foot.

The unique frame is offset by the gently curving ends of its table top.

MATERIALS

Base made from stainless steel powder coated in RAL9017 black or RAL 9002 white.

Table top available in oiled thermo treated ash.

Table top also available in High Pressure Laminate (HPL) in different finishes, always with black edge.

Both table tops are suitable for indoor and outdoor use.

CERTIFICATION

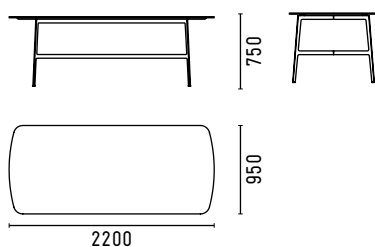
FSC certified timber

DESIGNER

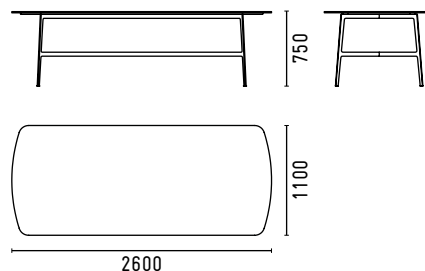
Tom Fereday, 2016

DIMENSIONS

EOT220



EOT260



SPØ1DESIGN.COM  
EILEEN COLLECTION



EILEEN 90

Eileen is an elegant table designed for outdoors, with an aesthetic that will work well in both residential and commercial settings.

The design is strongly defined by its frame - a central stretcher rail made from two folded stainless steel sections which connect to tapered blade legs with a disc shaped foot.

MATERIALS

Base made from stainless steel powder coated in RAL9017 black or RAL9002 white.

Table top available in marble in Bianco Carrara, Nero Marquina, Verde Guatemala or Rosso Levanto, in polished or honed finish, always sealed for outdoor use.

Table top also available in High Pressure Laminate (HPL) in different finishes.

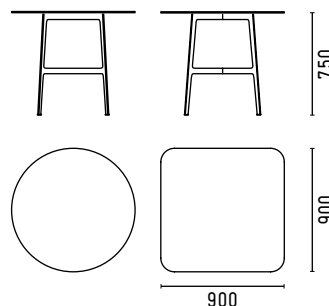
VARIANTS

The table is available in three different sizes:  
75 dining height, 75 bar height, and 90 dining height.

The tops are available in two different shapes: round or square with soft rounded corners.

DIMENSIONS

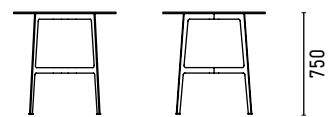
EOT90



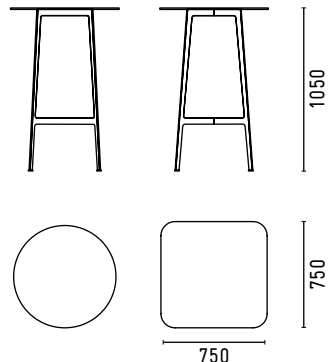
DESIGNER

Tom Fereday, 2016

EOT75



EOHT75



EILEEN COLLECTION

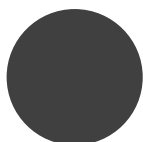
MATERIALS

Base in powder coated stainless steel.

Table top available in various finishes.  
Marble available in polished or honed finish.

75 and 90 tops available in round or square with soft round edges.

METAL BASE



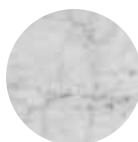
RAL9017  
black



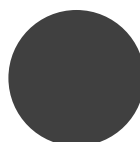
RAL9002  
white

TABLE TOP

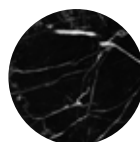
Thermo-  
treated ash



Bianco  
Carrara



HPL  
black



Nero  
Marquina



HPL  
white



Verde  
Guatemala



HPL  
graphite grey



Rosso  
Levanto

AVAILABLE FINISHES & COMBINATIONS

<u>METAL BASE</u>	<u>TABLE TOP</u>	Thermotreated ash	HPL black	HPL white	HPL graphite grey	Marble Bianco Carrara	Marble Nero Marquina	Marble Verde Guatemala	Marble Rosso Levanto
		<u>EOT220 / EOT280</u>							
RAL9017 black		●	●	●	●				
RAL9002 white		●	●	●	●				
<u>EOT75 / EOHT75 / EOT90</u>									
RAL9017 black			●	●	●	●	●	●	●
RAL9002 white			●	●	●	●	●	●	●