

YEE

DESIGNED BY METRICA

ASSEMBLY INSTRUCTIONS



SPØ1

THANK YOU FOR PURCHASING SP01,
WE HOPE YOU ENJOY YOUR FURNITURE FOR MANY YEARS TO COME.

THE SAFETY OF OUR PRODUCTS IS VERY IMPORTANT TO US,
AND WE ENCOURAGE YOU TO ALWAYS FOLLOW ASSEMBLY INSTRUCTIONS
AND SAFETY WARNINGS CAREFULLY.

PLEASE BE AWARE THAT SERIOUS OR FATAL CRUSHING INJURIES
CAN OCCUR FROM FURNITURE TIP-OVER.
TO PREVENT THIS PIECE FROM POTENTIALLY TIPPING OVER AND CAUSING
INJURY, WE STRONGLY RECOMMEND THAT IT SHOULD BE PERMANENTLY
FIXED TO THE WALL.

SPECIAL FIXING POINTS OR BRACKETS HAVE BEEN INCLUDED
AS PART OF THE DESIGN OF THIS PRODUCT.
PLEASE NOTE HOWEVER THAT HARDWARE IS NOT ALWAYS INCLUDED
BECAUSE DIFFERENT WALL MATERIALS REQUIRE DIFFERENT
TYPES OF FIXING HARDWARE.

IF YOU REQUIRE SPECIALISED ADVICE ON SUITABLE FIXING
HARDWARE PLEASE SEEK THE SERVICES OF A LOCAL TRADESPERSON
OR CONTACT THE SELLER OF THIS PRODUCT FOR MORE INFORMATION.

ENJOY



DISCLAIMER

THE ASSEMBLY INSTRUCTIONS ARE TO BE USED AS A GUIDE SHOWING THE CONCEPT OF THE SYSTEM. IT WILL NOT EQUAL TO THE SYSTEM YOU HAVE PURCHASED.

ENSURE THAT ALL STEPS ARE FOLLOWED IN THE CORRECT ORDER AND THAT NO STEP IS LEFT OUT.
A MINIMUM OF TWO PEOPLE ARE REQUIRED FOR ASSEMBLY.

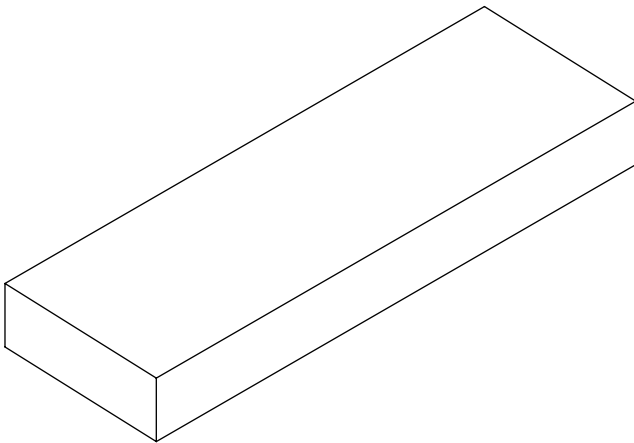
TO PREVENT ANY DAMAGE OF THE PRODUCT, DO NOT USE A BOX CUTTER, KNIFE OR SHARP OBJECT TO OPEN THE BOXES.

DO NOT LIFT THE BENCH BY ITS TOP. IF YOU HAVE TO LIFT THE BENCH, LIFT IT BY HOLDING ONTO THE METAL STRUCTURE.
DO NOT LIFT THE BENCH WITH BOXES ON TOP.

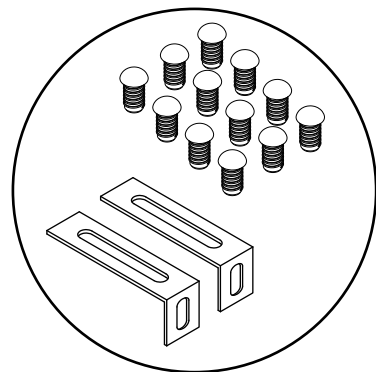
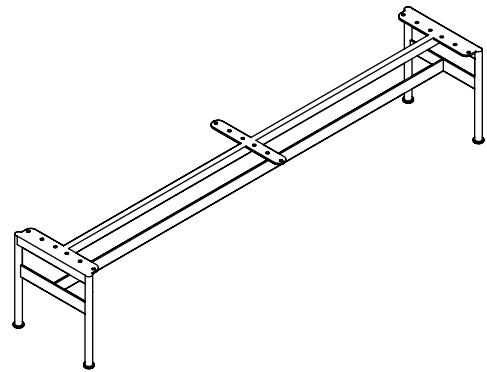
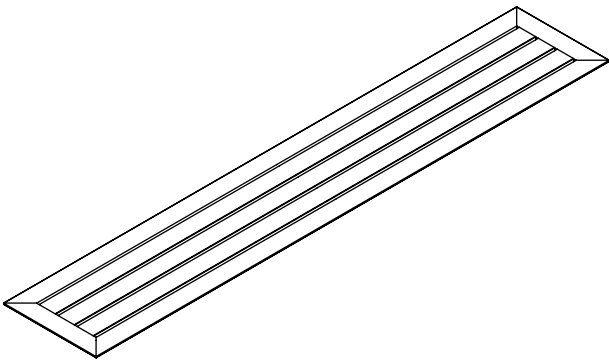
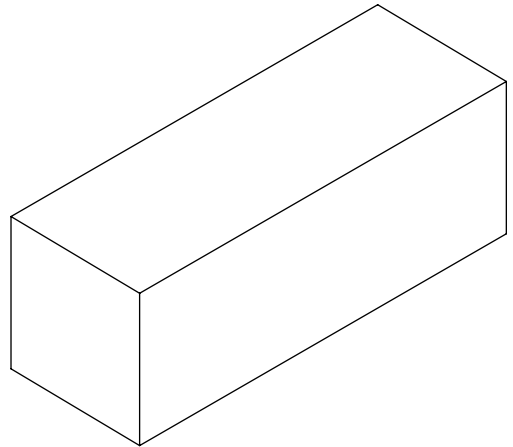
YEE STORAGE SYSTEM

PACKAGING
BENCH PARTS

BOX WITH WOODEN TOP



BOX WITH METAL BASE AND HARDWARE

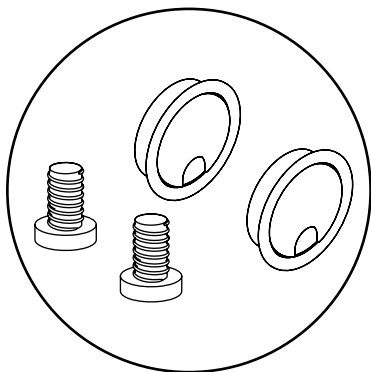
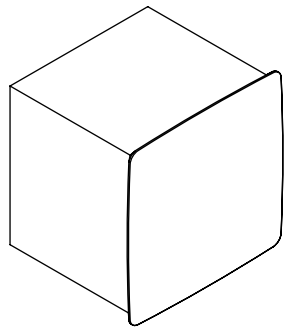
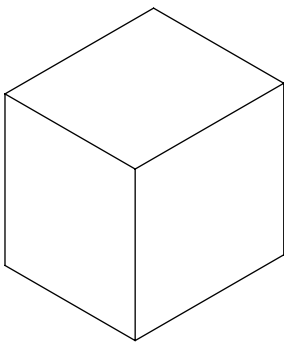


12/16 SCREWS, 2/3 WALL BRACKETS,
SMALL SCREW DRIVER

YEE STORAGE SYSTEM

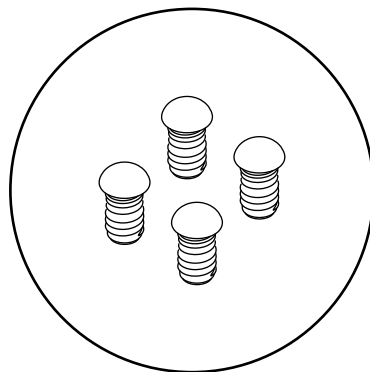
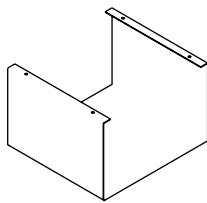
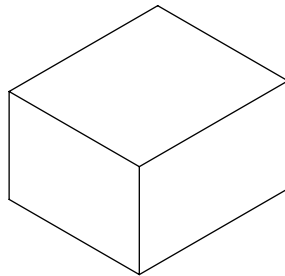
PACKAGING
STORAGE CONTAINER AND METAL SHELF

BOX WITH 560X560
STORAGE CONTAINER



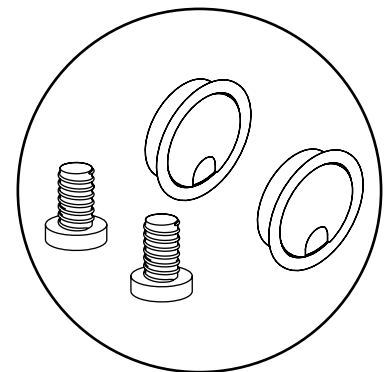
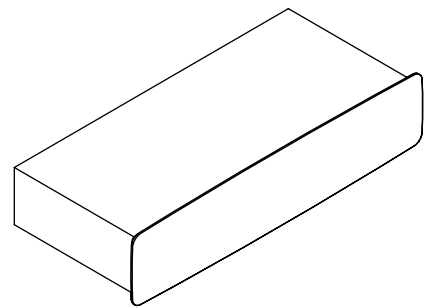
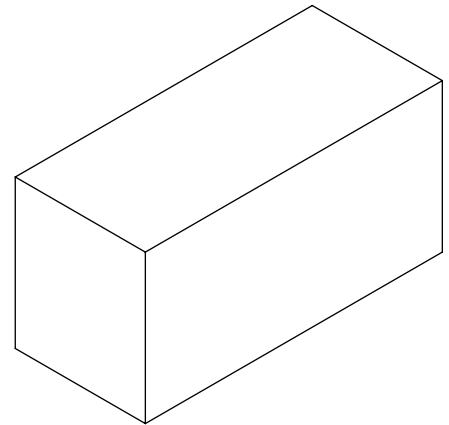
1 PLASTIC COVER,
1 METAL COVER,
2 HAND SCREWS

BOX WITH METAL
SHELF FOR 560X560
CONTAINER

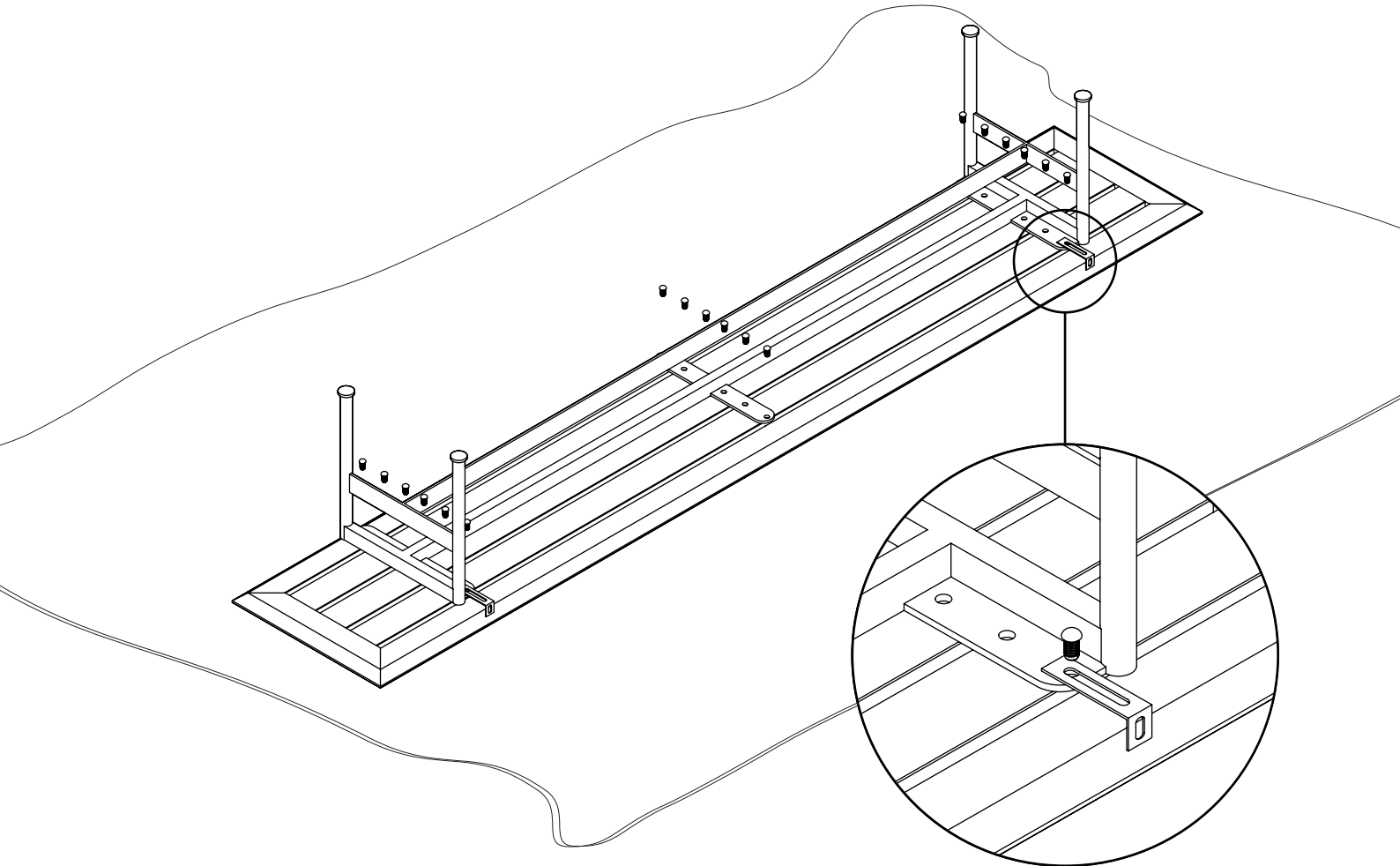


4 SCREWS,
1 ALLEN KEY

BOX WITH 1060X240
STORAGE CONTAINER



1 PLASTIC COVER,
1 METAL COVER,
2 HAND SCREWS

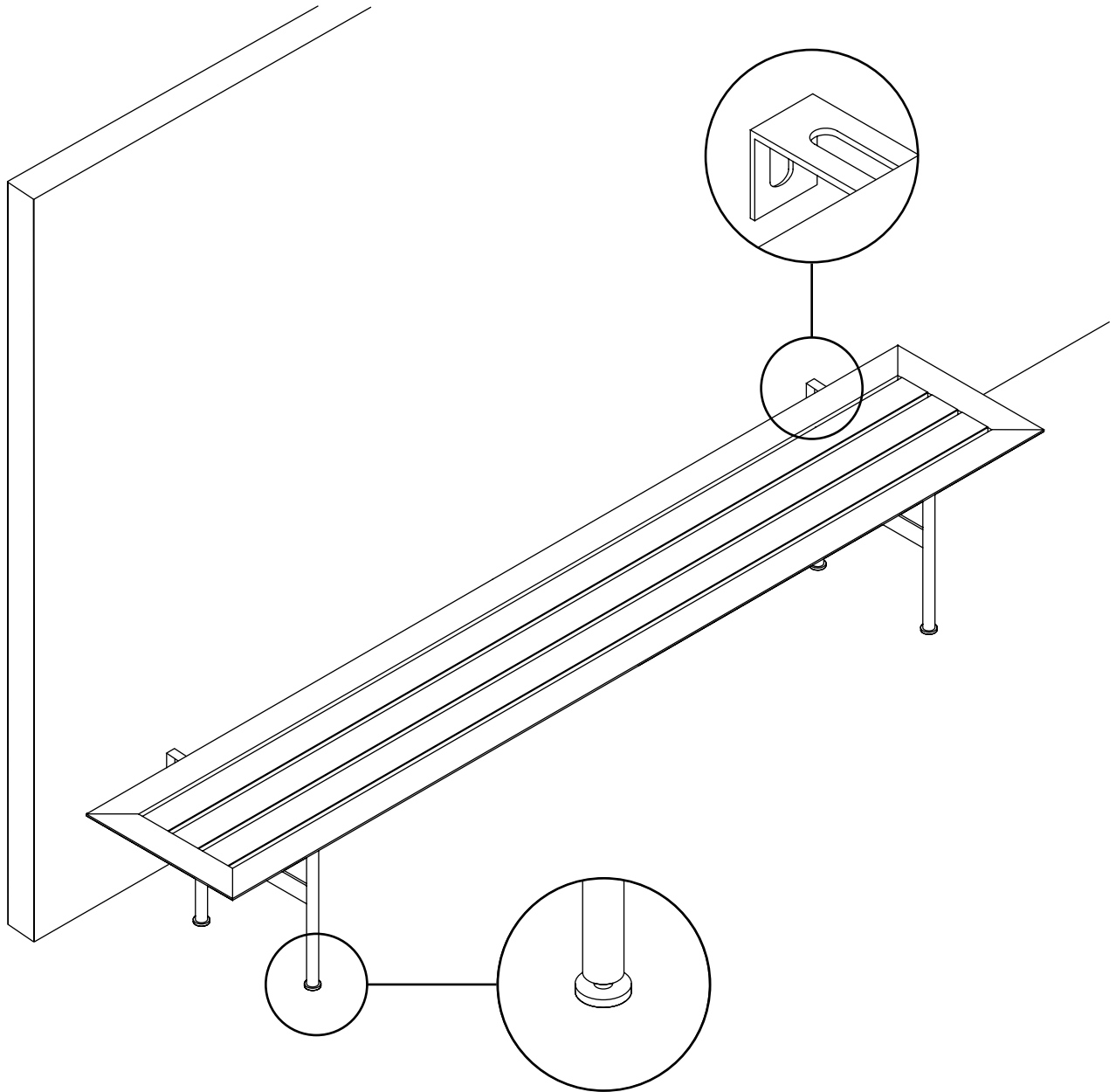
YEE STORAGE SYSTEMBENCH ASSEMBLY

REMOVE THE WOODEN TOP FROM ITS PACKAGING AND PLACE IT ON A CLEAN AND SOFT SURFACE/ BLANKET WITH THE HOLES FACING UP. REMOVE THE METAL STRUCTURE FROM ITS PACKAGING AND PLACE IT WITH THE ASSEMBLY BARS ONTO THE WOODEN TOP.

PLACE THE PROVIDED WALL BRACKETS ONTO THE METAL BARS, THEY SHOULD ALWAYS BE FACING THE BACK OF THE BENCH; THE WALL BRACKETS MUST BE FIXED ONTO THE WALL TO PREVENT TIPPING. DEPENDING ON THE SIZE OF THE BENCH YOU FIND 2 OR 3 METAL BRACKETS INCLUDED IN THE PACKAGING.

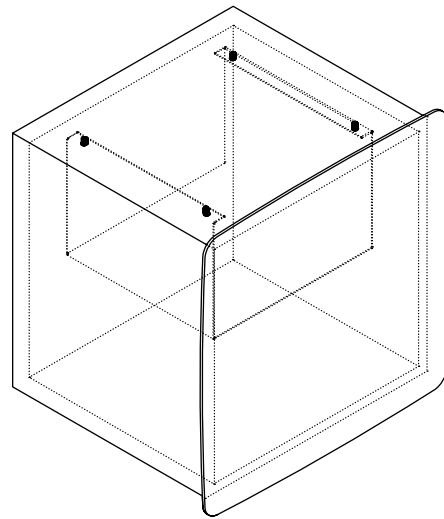
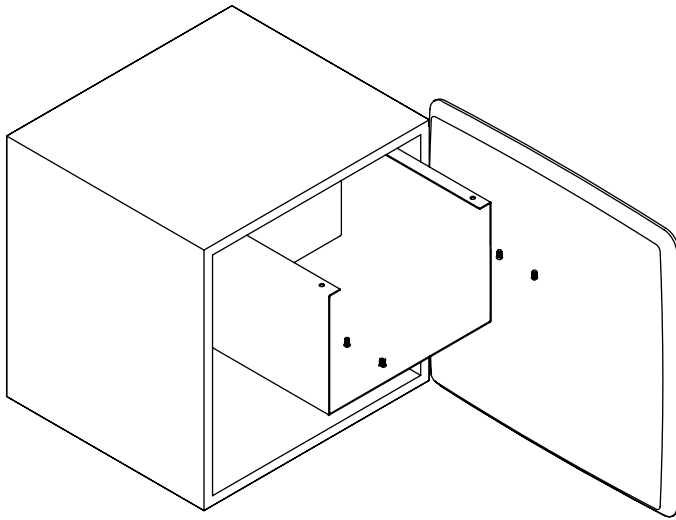
FIX THE METAL STRUCTURE AND THE WALL BRACKETS ONTO THE WOODEN TOP USING THE PROVIDED HARDWARE; THE WALL BRACKETS AND THE STRUCTURE SHARE THE SAME SCREW.

START SCREWING THE EXTERNAL SCREWS WITHOUT TIGHTENING TOO MUCH; MOVE FROM THE EXTERNAL HOLES TO THE INTERNAL ONES. FINALLY TIGHTEN ALL SCREWS.

YEE STORAGE SYSTEM

BEFORE PLACING THE ASSEMBLED BENCH INTO ITS POSITION, MAKE SURE THAT THE ADJUSTABLE FEET ARE LOOSENED. ADJUST THE FEET IN ORDER TO ALIGN THE BENCH AND TOP HORIZONTALLY. POSITION THE BENCH AND FIX IT TO THE WALL USING PROVIDED METAL BRACKETS AND ADEQUATE HARDWARE (NOT SUPPLIED).

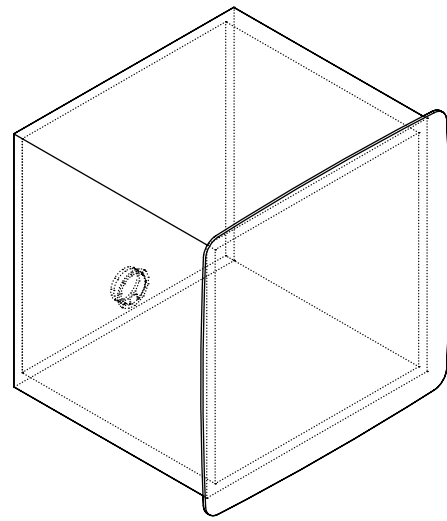
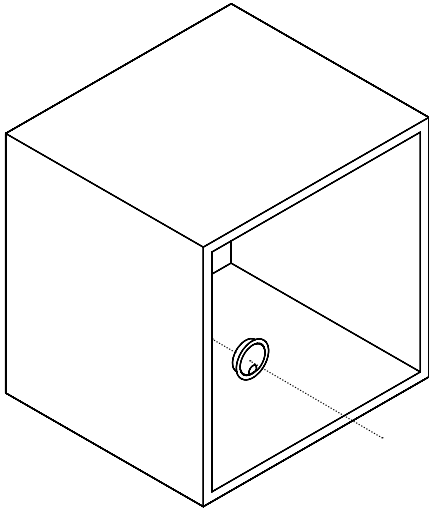
YEE STORAGE SYSTEM



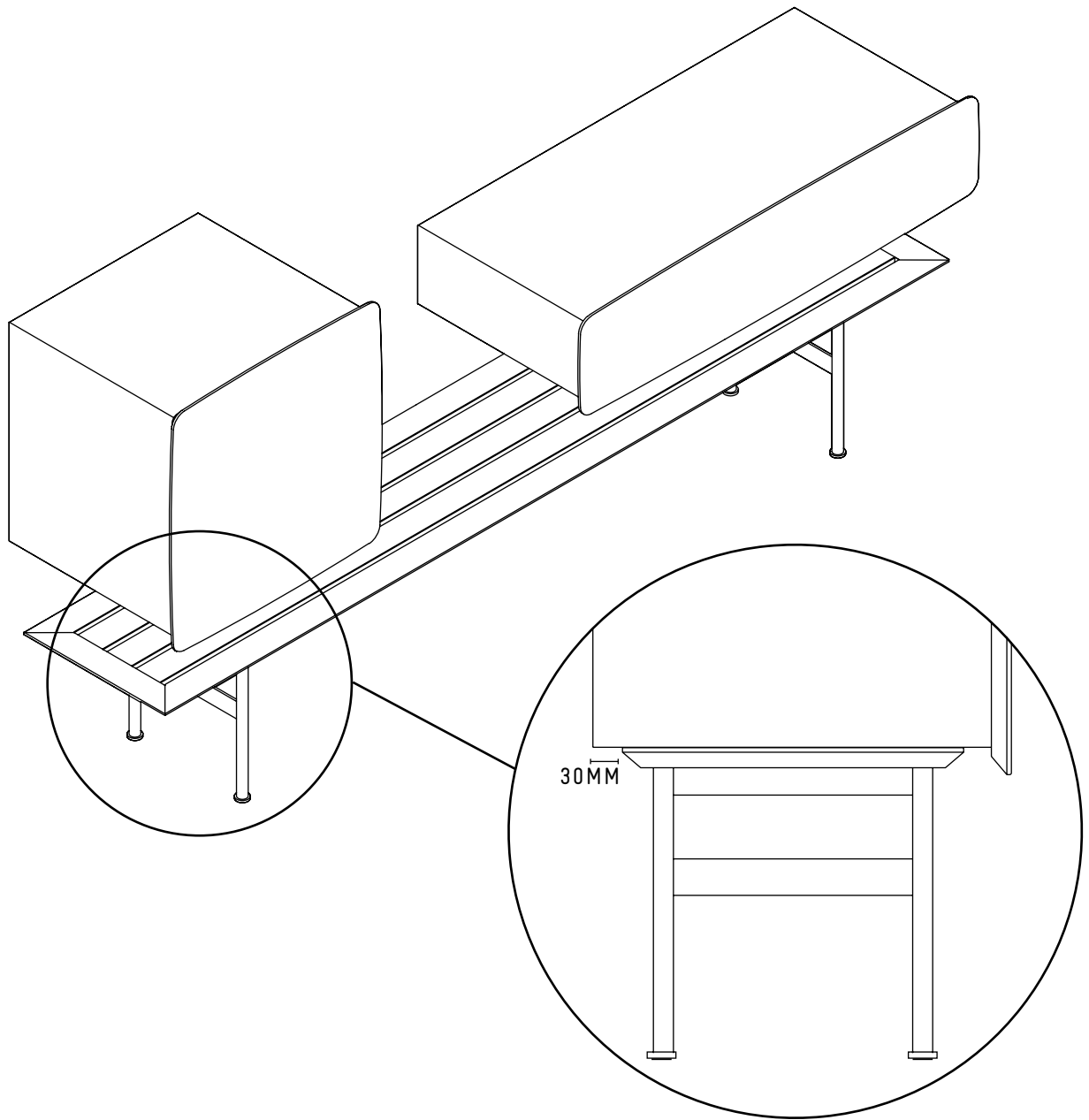
IF YOU WISH TO HAVE AN INTERNAL METAL SHELF, PLEASE MAKE SURE TO ASSEMBLE THE SHELF BEFORE ASSEMBLING THE STORAGE CONTAINER ONTO THE BENCH. IT IS RECOMMENDED TO ASSEMBLE THE METAL SHELF UPSIDE DOWN, SINCE OTHERWISE THE METAL SHEET COULD BEND OR FALL DOWN DURING ASSEMBLY. TAKE CARE NOT TO DAMAGE OR SCRATCH THE TOP SURFACE OF THE STORAGE CONTAINER.

PLACE THE METAL SHELF INTO THE STORAGE BOX, MAKING SURE THAT ONE PERSON IS ALWAYS HOLDING THE DOOR. FIX THE METAL SHELF WITH THE HARDWARE PROVIDED.

YEE STORAGE SYSTEM



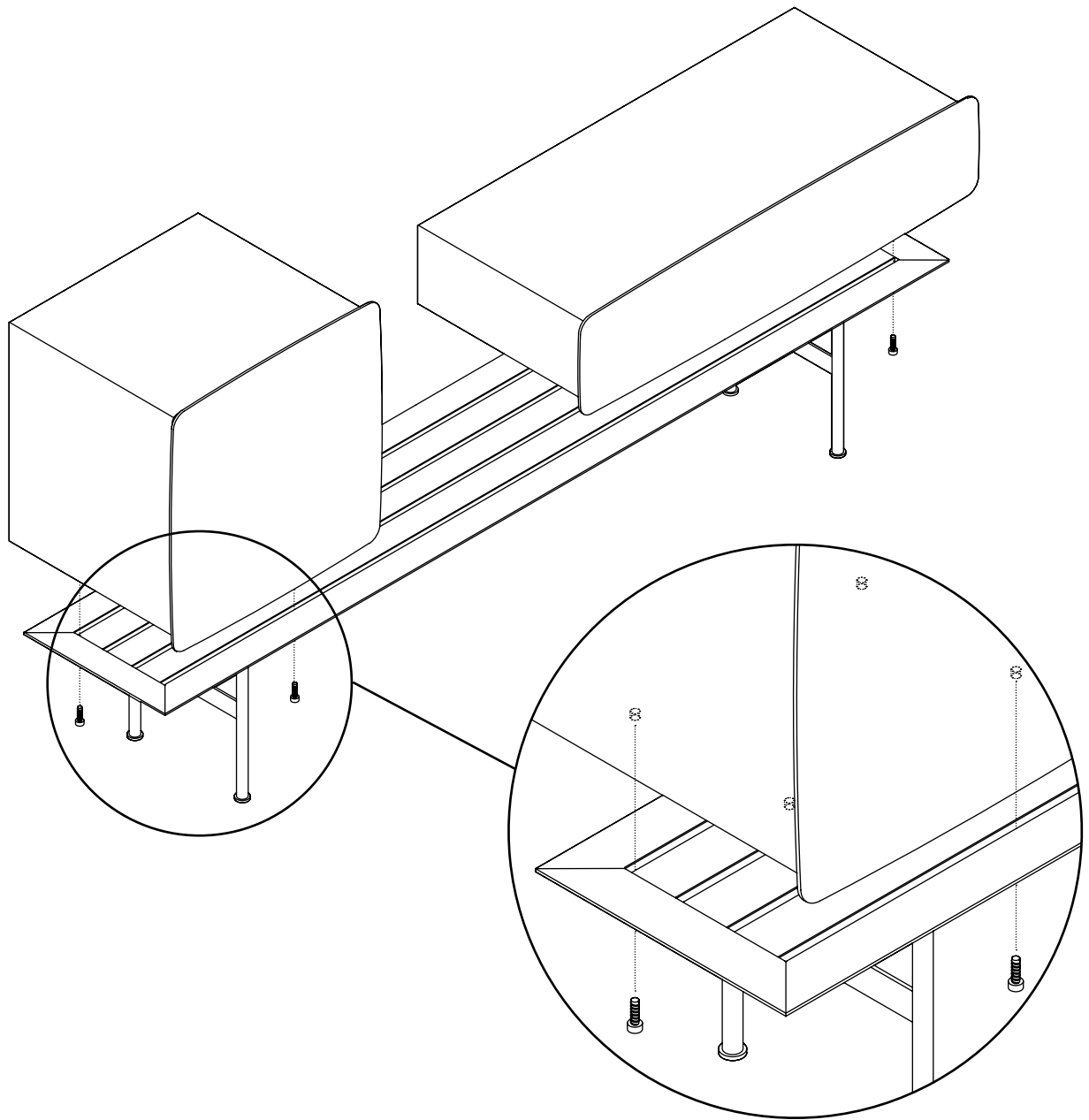
EVERY BOX COMES WITH ONE PLASTIC AND ONE METAL COVER FOR EACH CABLE MANAGEMENT HOLE.
FIX THE CABLE MANAGEMENT COVER EITHER IN- OR OUTSIDE THE BOX;
YOU CAN CHOOSE WHICH ONE YOU WANT INTERNALLY AND WHICH ONE EXTERNALLY DEPENDING
ON YOUR NEEDS.

YEE STORAGE SYSTEM

POSITION THE STORAGE CONTAINER ONTO THE BENCH MAKING SURE THAT THE ASSEMBLY HOLES ARE FACING DOWN.

WITH A TAPE MEASURE, MAKE SURE THAT THE STORAGE BOX PULLS OUT 30MM FROM THE BENCH; THIS HELPS TO FIND THE HOLES TO ASSEMBLE USING PROVIDED HAND SCREWS.

YEE STORAGE SYSTEM



EVERY BENCH COMES WITH TWO HAND SCREWS WHICH SHALL ALWAYS BE FIXED IN A DIAGONAL POSITION.
FIX THE STORAGE BOXES WITH THE PROVIDED HAND SCREWS.

YEE STORAGE SYSTEM

