

# YEE

DESIGNED BY METRICA

## ASSEMBLY INSTRUCTIONS



# SPØ1

THANK YOU FOR PURCHASING SP01,  
WE HOPE YOU ENJOY YOUR FURNITURE FOR MANY YEARS TO COME.

---

THE SAFETY OF OUR PRODUCTS IS VERY IMPORTANT TO US,  
AND WE ENCOURAGE YOU TO ALWAYS FOLLOW ASSEMBLY INSTRUCTIONS  
AND SAFETY WARNINGS CAREFULLY.

---

PLEASE BE AWARE THAT SERIOUS OR FATAL CRUSHING INJURIES  
CAN OCCUR FROM FURNITURE TIP-OVER.  
TO PREVENT THIS PIECE FROM POTENTIALLY TIPPING OVER AND CAUSING  
INJURY, WE STRONGLY RECOMMEND THAT IT SHOULD BE PERMANENTLY  
FIXED TO THE WALL.

---

SPECIAL FIXING POINTS OR BRACKETS HAVE BEEN INCLUDED  
AS PART OF THE DESIGN OF THIS PRODUCT.  
PLEASE NOTE HOWEVER THAT HARDWARE IS NOT ALWAYS INCLUDED  
BECAUSE DIFFERENT WALL MATERIALS REQUIRE DIFFERENT  
TYPES OF FIXING HARDWARE.

---

IF YOU REQUIRE SPECIALISED ADVICE ON SUITABLE FIXING  
HARDWARE PLEASE SEEK THE SERVICES OF A LOCAL TRADESPERSON  
OR CONTACT THE SELLER OF THIS PRODUCT FOR MORE INFORMATION.

---

## ENJOY



## DISCLAIMER

---

THE ASSEMBLY INSTRUCTIONS ARE TO BE USED AS A GUIDE SHOWING THE CONCEPT OF THE SYSTEM. IT WILL NOT BE EQUAL TO THE SYSTEM YOU HAVE PURCHASED.

---

ENSURE THAT ALL STEPS ARE FOLLOWED IN THE CORRECT ORDER AND THAT NO STEP IS LEFT OUT.  
A MINIMUM OF TWO PEOPLE ARE REQUIRED FOR ASSEMBLY.

---

TO PREVENT ANY DAMAGE OF THE PRODUCT, DO NOT USE A BOX CUTTER, KNIFE OR SHARP OBJECT TO OPEN THE BOXES.

---

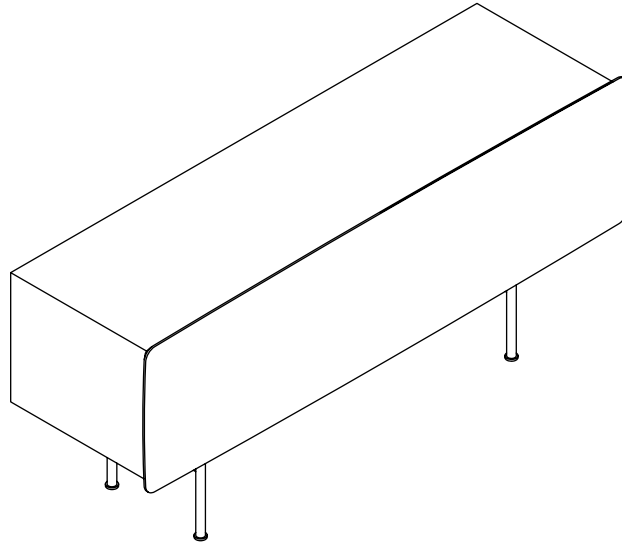
DO NOT LIFT THE BENCH BY ITS TOP. IF YOU HAVE TO LIFT THE BENCH, LIFT IT BY HOLDING ONTO THE METAL STRUCTURE.  
DO NOT LIFT THE BENCH WITH BOXES ON TOP.

YEE STORAGE SYSTEM

---

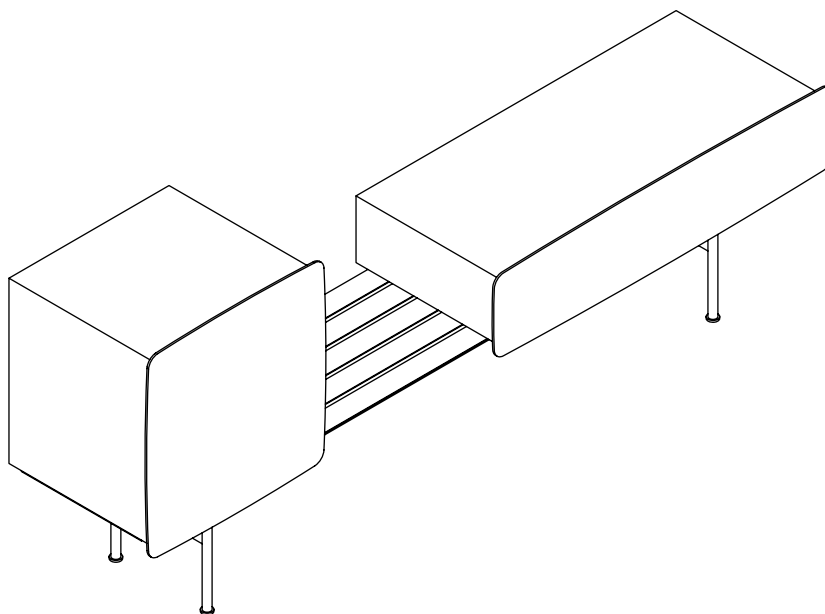
EXAMPLE SETTING 1

SHORT METAL BASE 1000 + STORAGE ELEMENT 1560X420



EXAMPLE SETTING 2

MEDIUM METAL BASE + MEDIUM WOOD TOP + 560X560 STORAGE ELEMENT +  
INTERNAL METAL SHELF FOR 560 CONTAINER + 1060X240 STORAGE ELEMENT

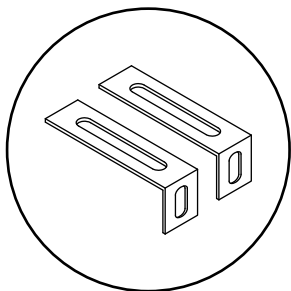
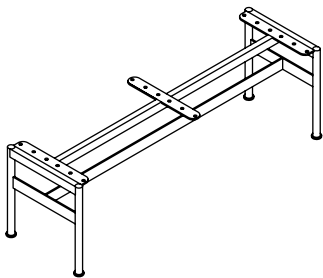
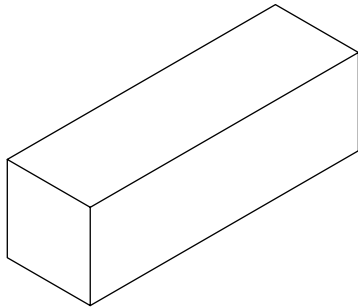


YEE STORAGE SYSTEM  
EXAMPLE SETTING 1

---

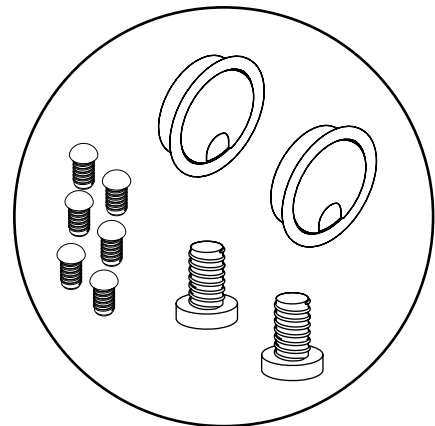
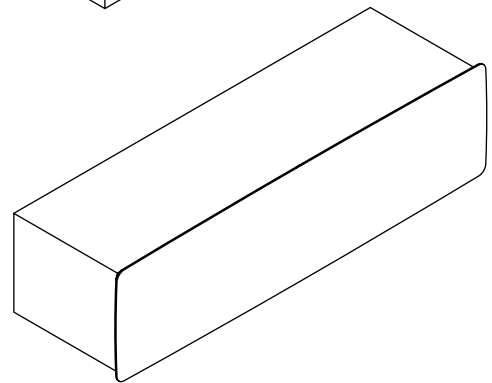
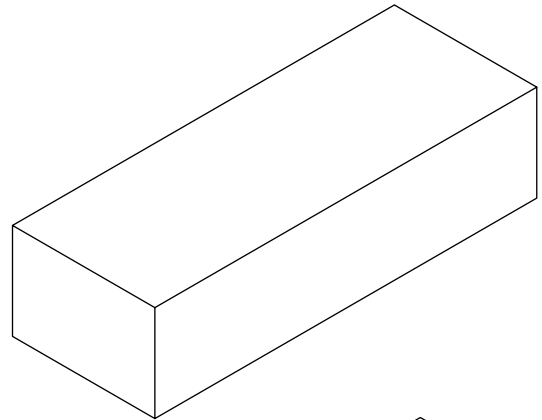
PACKAGING  
BENCH PARTS

BOX WITH METAL BASE AND HARDWARE



2/3 WALL BRACKETS,  
SMALL SCREW DRIVER

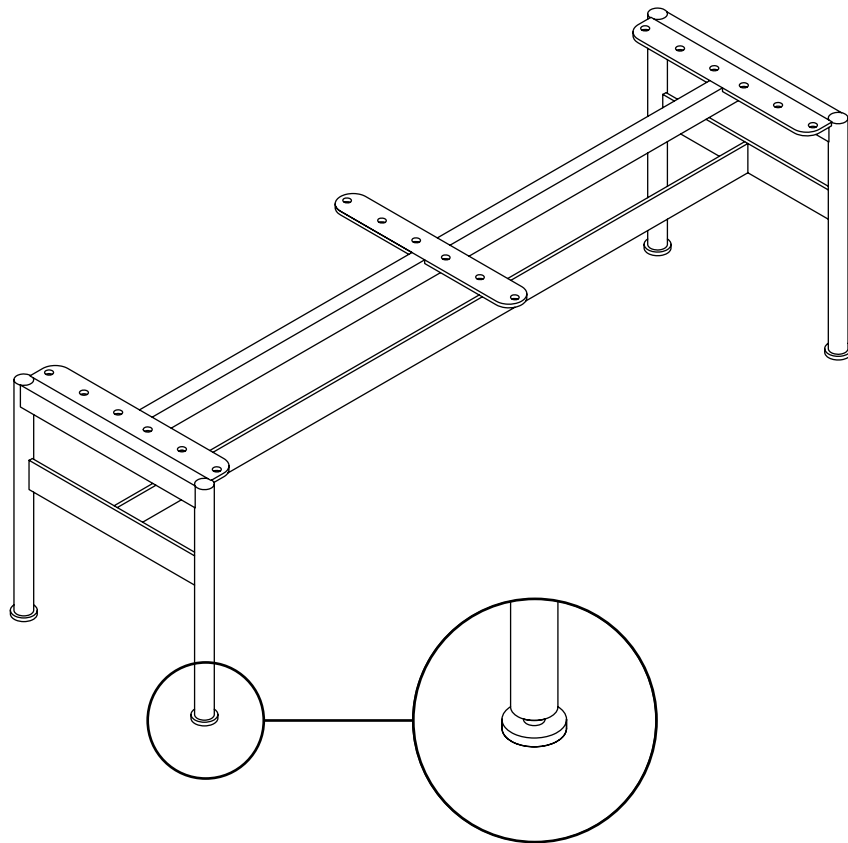
BOX WITH 1560X420  
STORAGE CONTAINER



2 PLASTIC COVER, 2 METAL COVER, 6 SCREWS,  
2 HAND SCREWS (NOT REQUIRED FOR ASSEMBLY OF  
COMPOSITIONS WITHOUT WOODEN TOP)

YEE STORAGE SYSTEM  
EXAMPLE SETTING 1

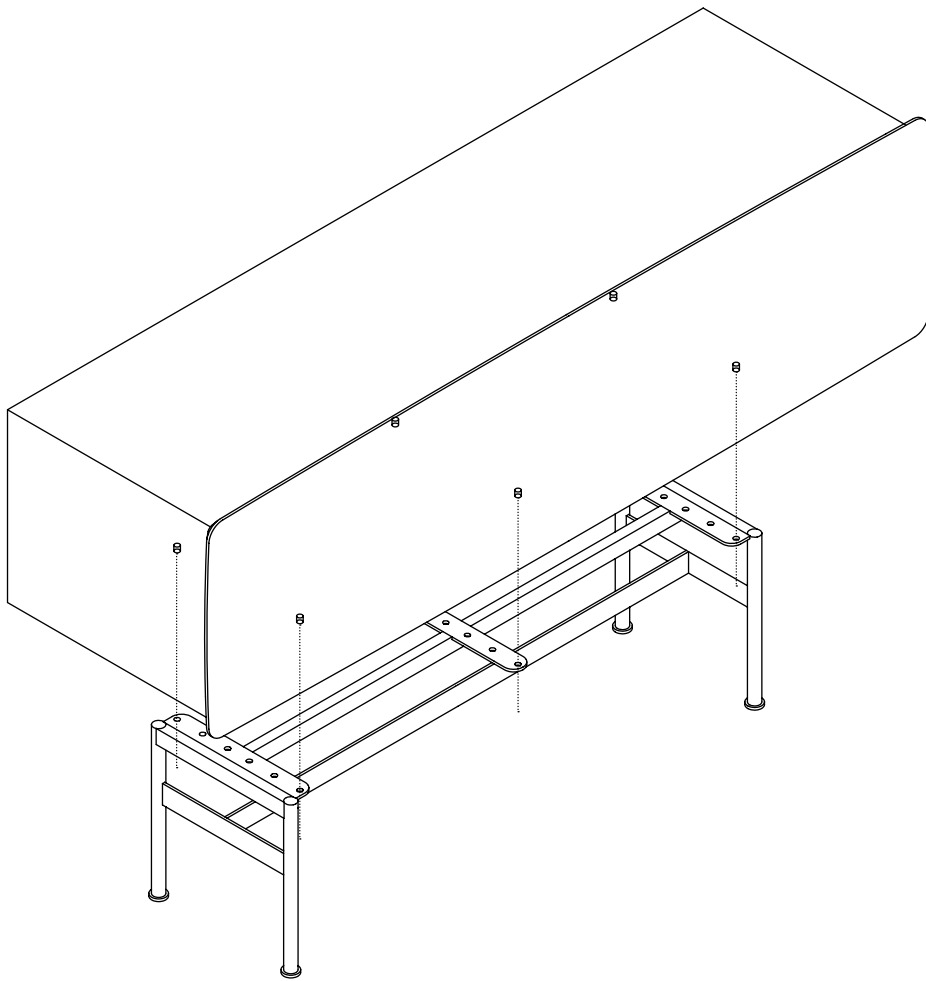
---



REMOVE THE METAL STRUCTURE FROM ITS PACKAGING AND PLACE IT ONTO THE FLOOR.  
BEFORE PLACING THE STORAGE CONTAINER ON TOP, MAKE SURE THAT THE ADJUSTABLE FEET ARE  
LOOSENED. ADJUST THE FEET IN ORDER TO ALIGN THE STRUCTURE HORIZONTALLY.

YEE STORAGE SYSTEM  
EXAMPLE SETTING 1

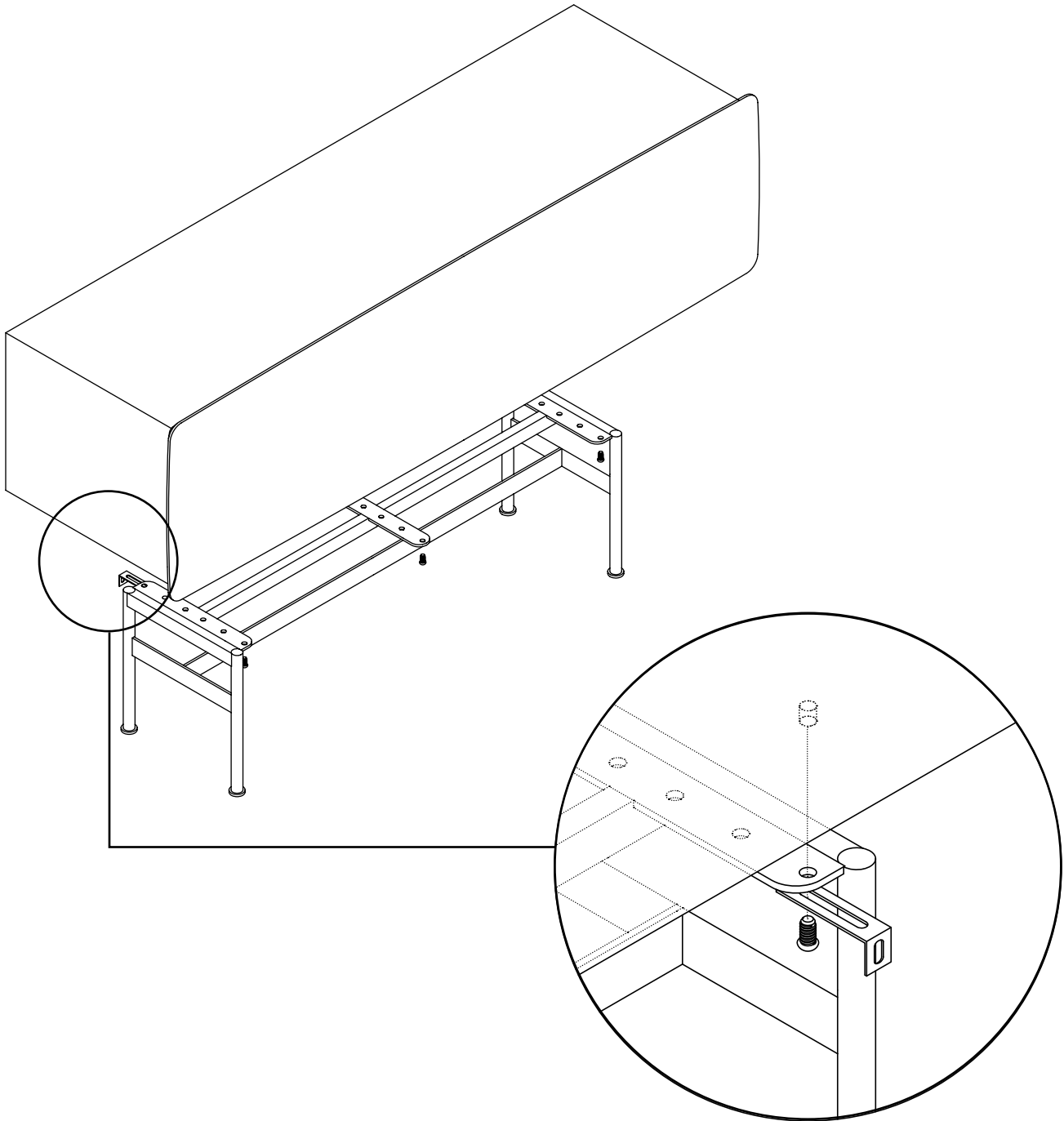
---



REMOVE THE STORAGE ELEMENT FROM ITS PACKAGING AND PLACE IT ON TOP OF THE METAL STRUCTURE. ALIGN THE HOLES ON THE BOTTOM WITH THE HOLES OF THE METAL STRUCTURE.

YEE STORAGE SYSTEM  
EXAMPLE SETTING 1

---

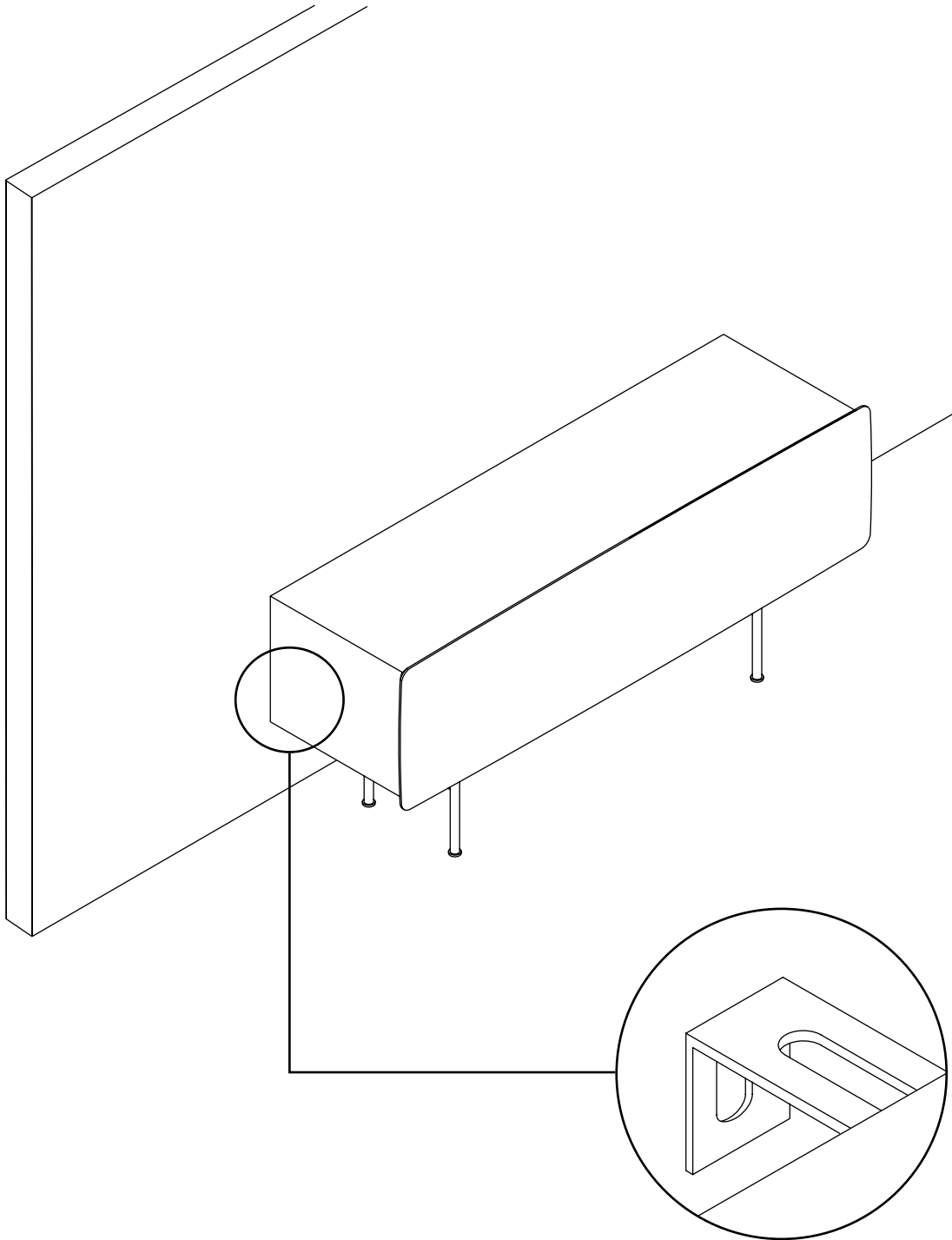


IF YOU WISH TO FIX THE COMPOSITION TO THE WALL, TAKE OUT THE PROVIDED METAL BRACKETS FROM THE PACKAGING. THE METAL BRACKET MUST BE FACING THE WALL.  
FROM UNDERNEATH, PLACE THE METAL BRACKETS UNDERNEATH THE METAL STRUCTURE AND FIX EVERYTHING WITH THE PROVIDED HARDWARE.



YEE STORAGE SYSTEM  
EXAMPLE SETTING 1

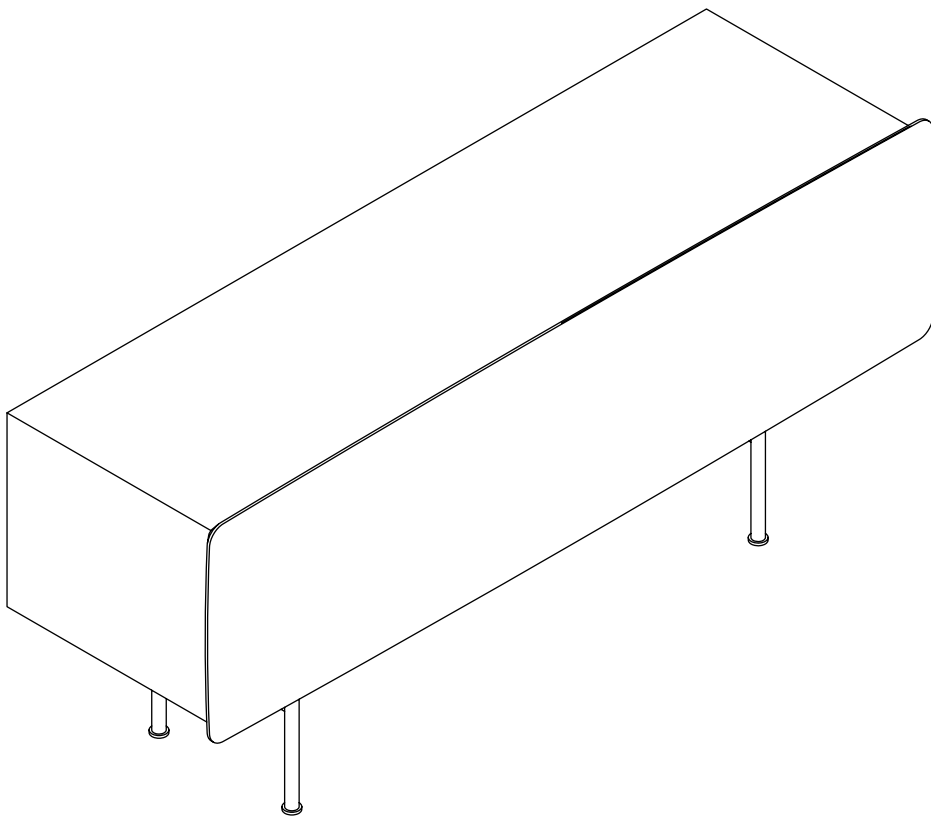
---



POSITION THE BENCH AND FIX IT TO THE WALL USING PROVIDED METAL BRACKETS AND ADEQUATE HARDWARE (NOT SUPPLIED).

YEE STORAGE SYSTEM  
EXAMPLE SETTING 1

---

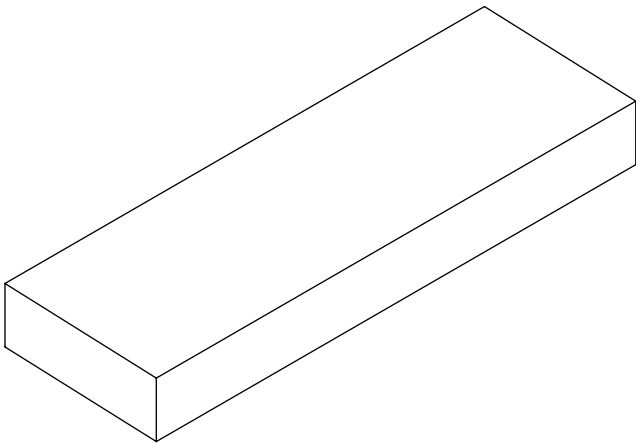


YEE STORAGE SYSTEM  
EXAMPLE SETTING 2

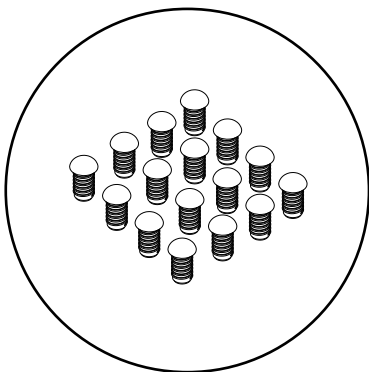
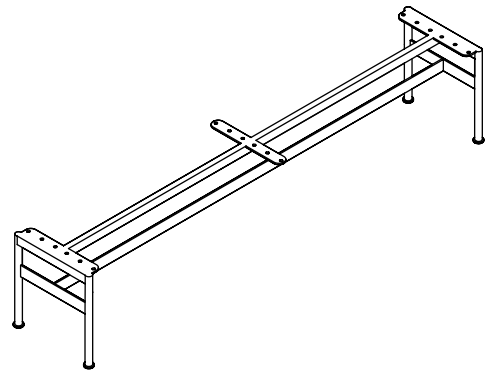
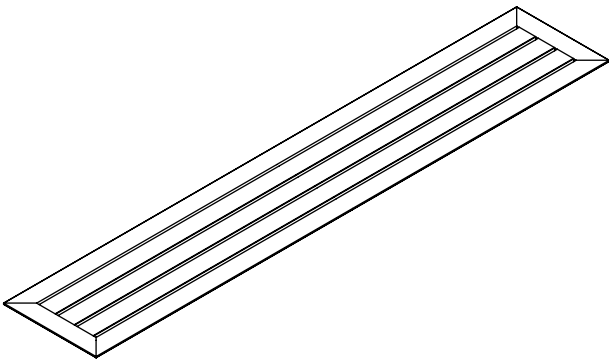
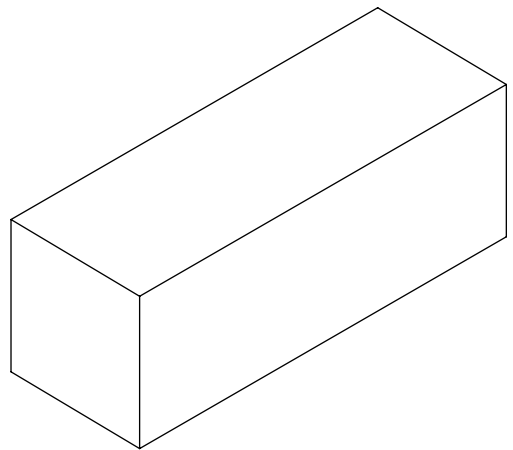
---

PACKAGING  
BENCH PARTS

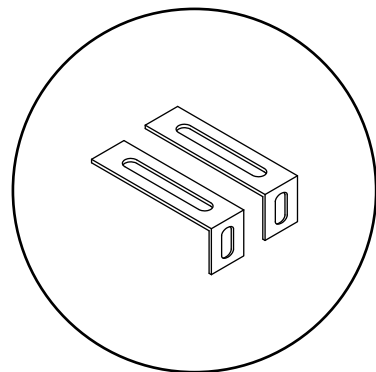
BOX WITH WOODEN TOP



BOX WITH METAL BASE AND HARDWARE



18 SCREWS

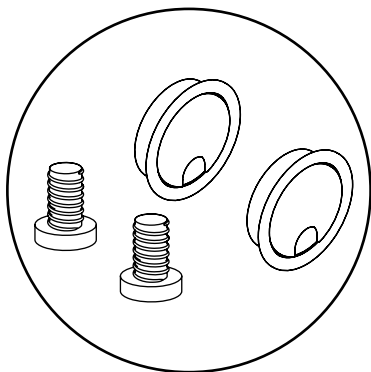
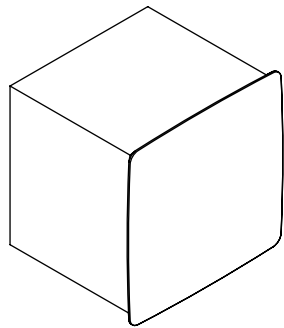
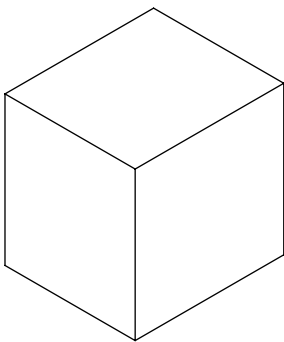


2/3 WALL BRACKETS

YEE STORAGE SYSTEM  
EXAMPLE SETTING 2

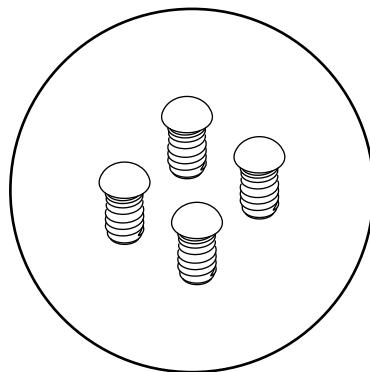
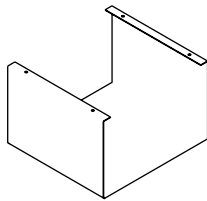
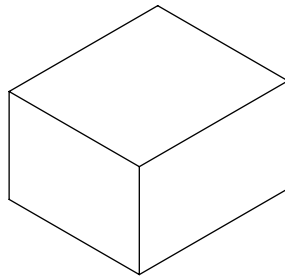
PACKAGING  
STORAGE CONTAINER AND METAL SHELF

BOX WITH 560X560  
STORAGE CONTAINER



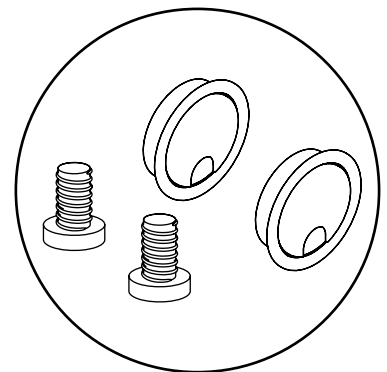
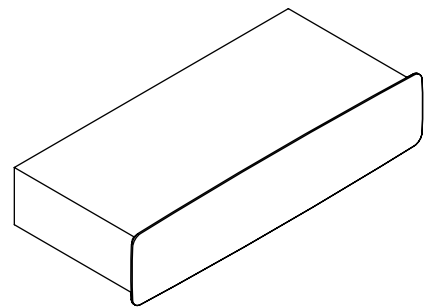
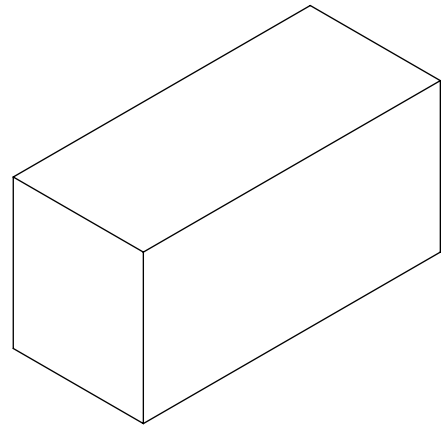
1 PLASTIC COVER,  
1 METAL COVER,  
2 HAND SCREWS

BOX WITH METAL  
SHELF FOR 560X560  
CONTAINER



4 SCREWS,  
1 ALLEN KEY

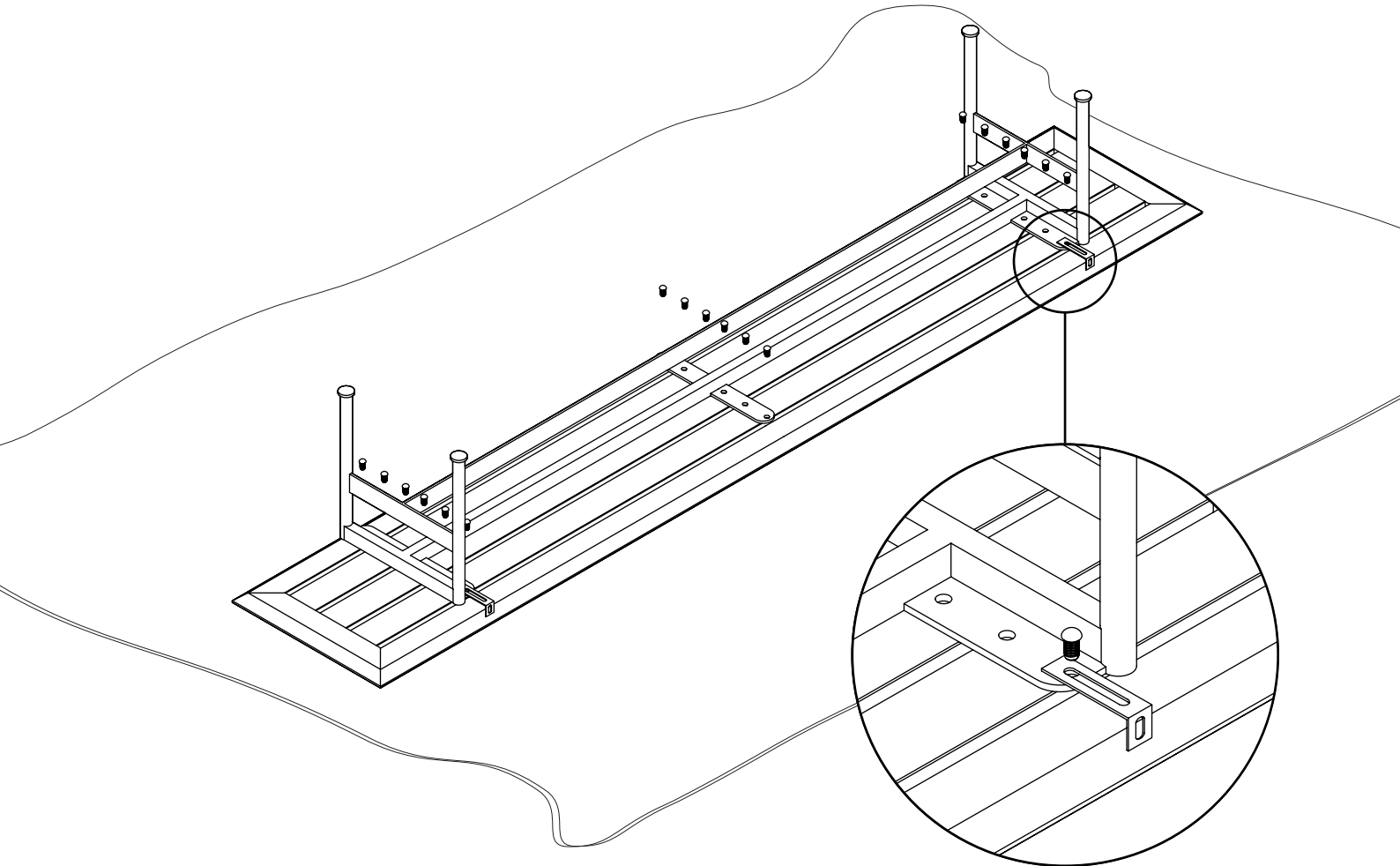
BOX WITH 1060X240  
STORAGE CONTAINER



1 PLASTIC COVER,  
1 METAL COVER,  
2 HAND SCREWS

YEE STORAGE SYSTEM  
EXAMPLE SETTING 2

BENCH ASSEMBLY



REMOVE THE WOODEN TOP FROM ITS PACKAGING AND PLACE IT ON A CLEAN AND SOFT SURFACE/  
 BLANKET WITH THE HOLES FACING UP. REMOVE THE METAL STRUCTURE FROM ITS PACKAGING AND  
 PLACE IT WITH THE ASSEMBLY BARS ONTO THE WOODEN TOP.

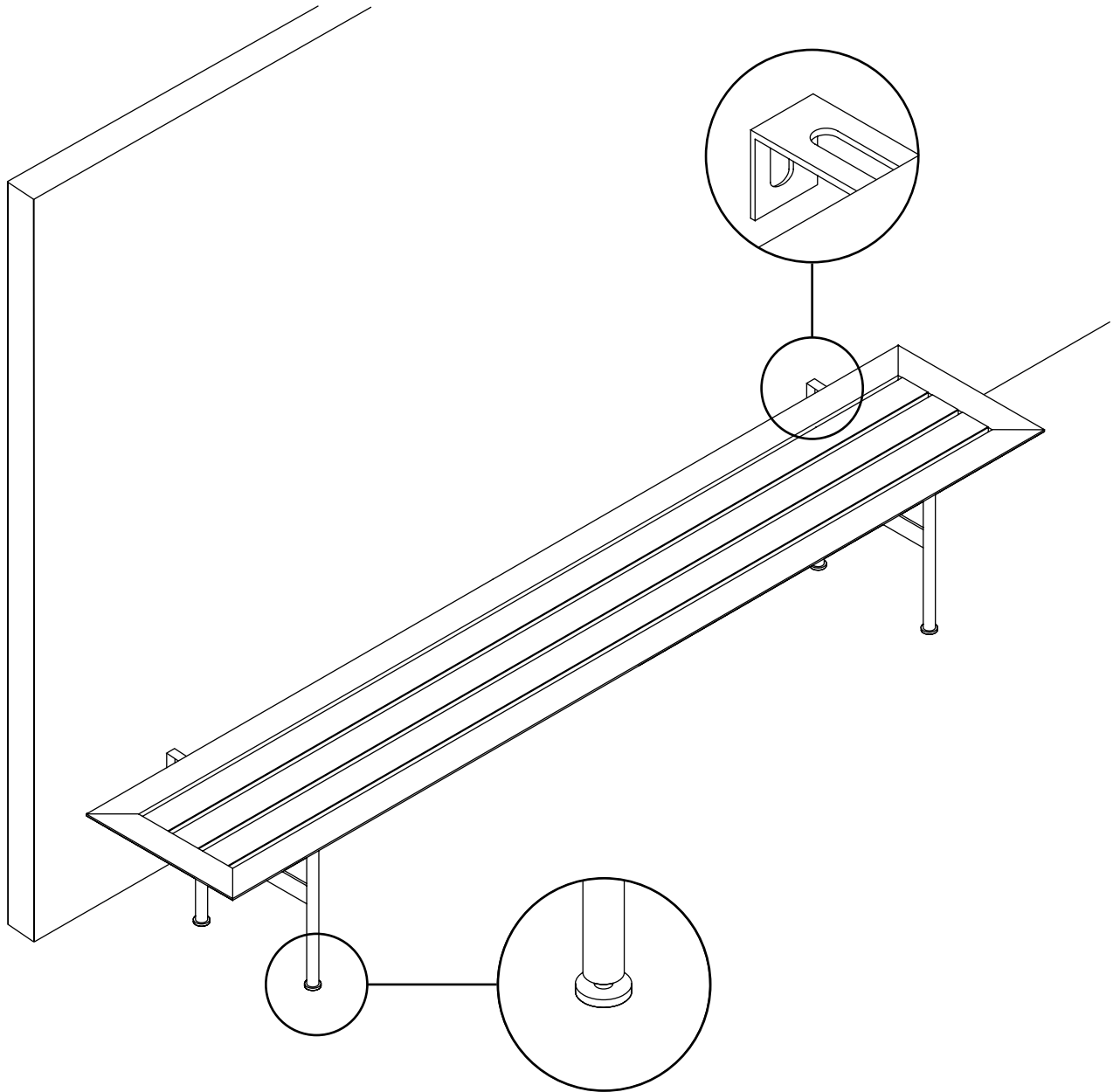
PLACE THE PROVIDED WALL BRACKETS ONTO THE METAL BARS, THEY SHOULD ALWAYS BE FACING  
 THE BACK OF THE BENCH; THE WALL BRACKETS MUST BE FIXED ONTO THE WALL TO PREVENT TIPPING.  
 DEPENDING ON THE SIZE OF THE BENCH YOU FIND 2 OR 3 METAL BRACKETS INCLUDED IN THE  
 PACKAGING.

FIX THE METAL STRUCTURE AND THE WALL BRACKETS ONTO THE WOODEN TOP USING THE PROVIDED  
 HARDWARE; THE WALL BRACKETS AND THE STRUCTURE SHARE THE SAME SCREW.

START SCREWING THE EXTERNAL SCREWS WITHOUT TIGHTENING TOO MUCH; MOVE FROM THE EXTERNAL  
 HOLES TO THE INTERNAL ONES. FINALLY TIGHTEN ALL SCREWS.

YEE STORAGE SYSTEM  
EXAMPLE SETTING 2

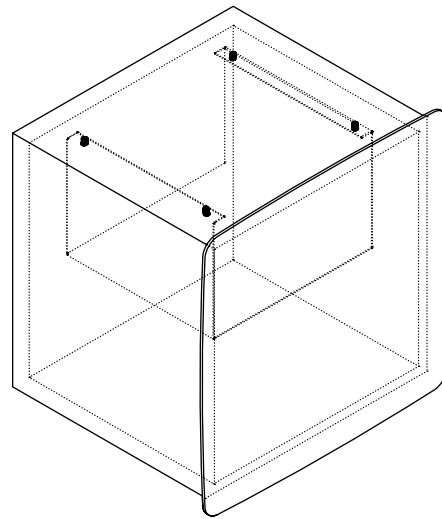
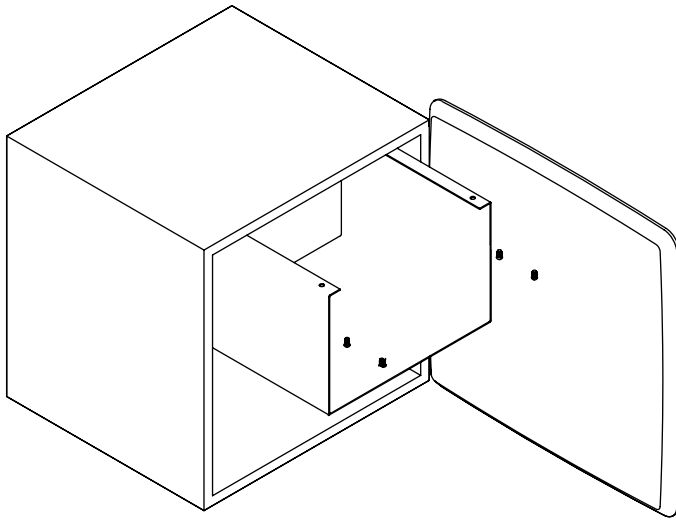
---



BEFORE PLACING THE ASSEMBLED BENCH INTO ITS POSITION, MAKE SURE THAT THE ADJUSTABLE FEET ARE LOOSENED. ADJUST THE FEET IN ORDER TO ALIGN THE BENCH AND TOP HORIZONTALLY. POSITION THE BENCH AND FIX IT TO THE WALL USING PROVIDED METAL BRACKETS AND ADEQUATE HARDWARE (NOT SUPPLIED).

YEE STORAGE SYSTEM  
EXAMPLE SETTING 2

---

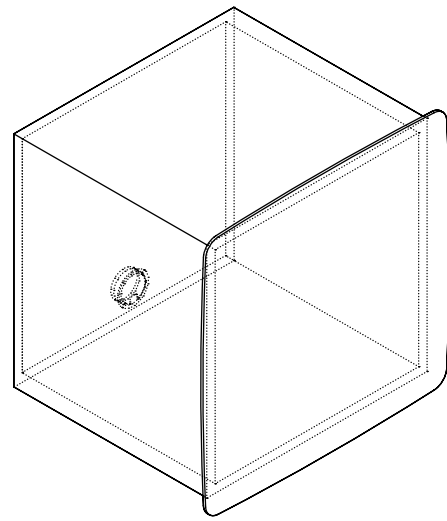
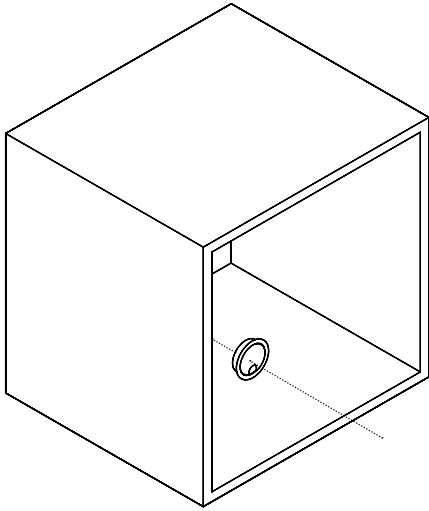


IF YOU WISH TO HAVE AN INTERNAL METAL SHELF, PLEASE MAKE SURE TO ASSEMBLE THE SHELF BEFORE ASSEMBLING THE STORAGE CONTAINER ONTO THE BENCH. IT IS RECOMMENDED TO ASSEMBLE THE METAL SHELF UPSIDE DOWN, SINCE OTHERWISE THE METAL SHEET COULD BEND OR FALL DOWN DURING ASSEMBLY. TAKE CARE NOT TO DAMAGE OR SCRATCH THE TOP SURFACE OF THE STORAGE CONTAINER.

PLACE THE METAL SHELF INTO THE STORAGE BOX, MAKING SURE THAT ONE PERSON IS ALWAYS HOLDING THE DOOR.  
FIX THE METAL SHELF WITH THE HARDWARE PROVIDED.

YEE STORAGE SYSTEM  
EXAMPLE SETTING 2

---

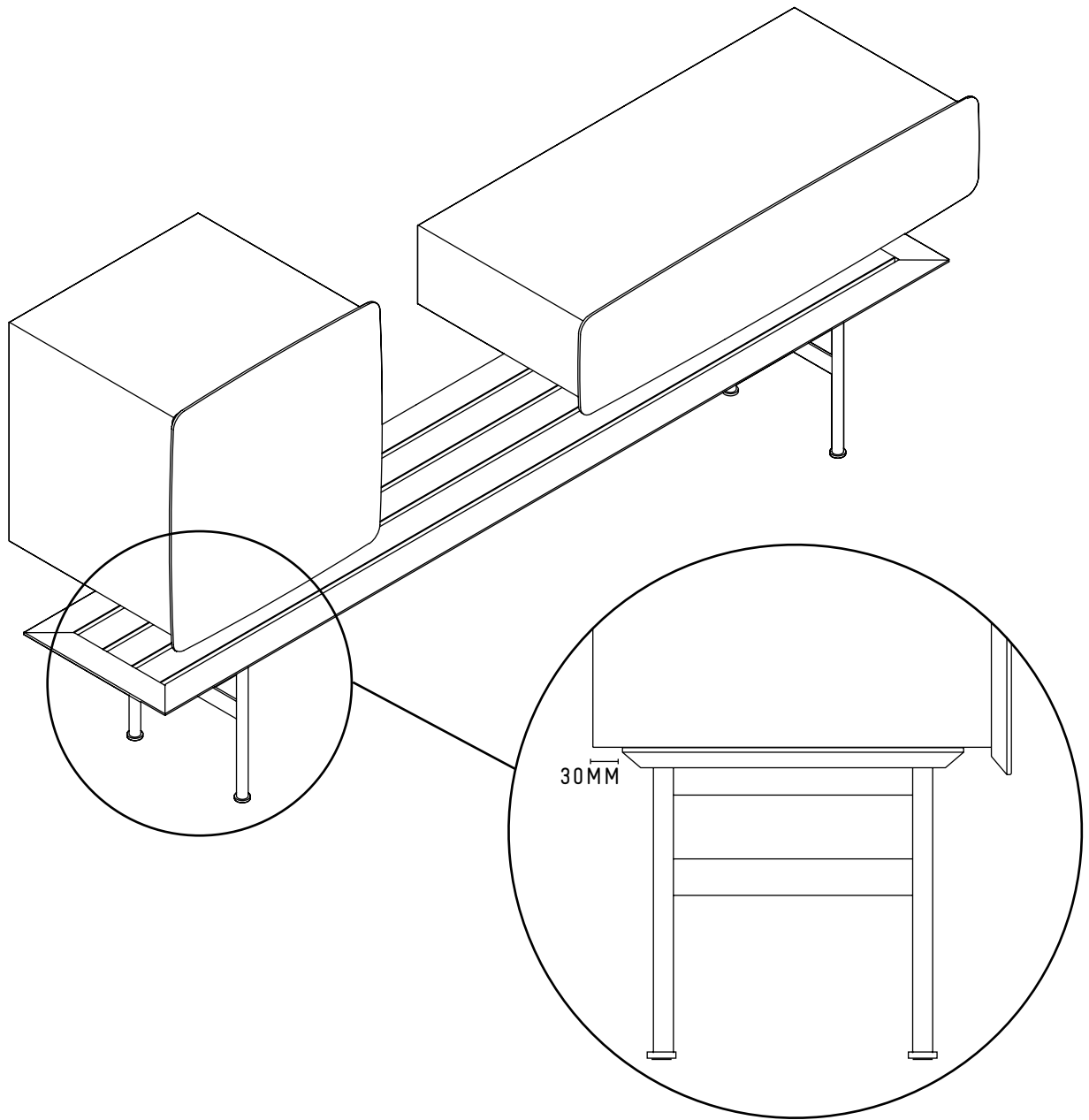


EVERY BOX COMES WITH ONE PLASTIC AND ONE METAL COVER FOR EACH CABLE MANAGEMENT HOLE.  
FIX THE CABLE MANAGEMENT COVER EITHER IN- OR OUTSIDE THE BOX;  
YOU CAN CHOOSE WHICH ONE YOU WANT INTERNALLY AND WHICH ONE EXTERNALLY DEPENDING  
ON YOUR NEEDS.



YEE STORAGE SYSTEM  
EXAMPLE SETTING 2

---

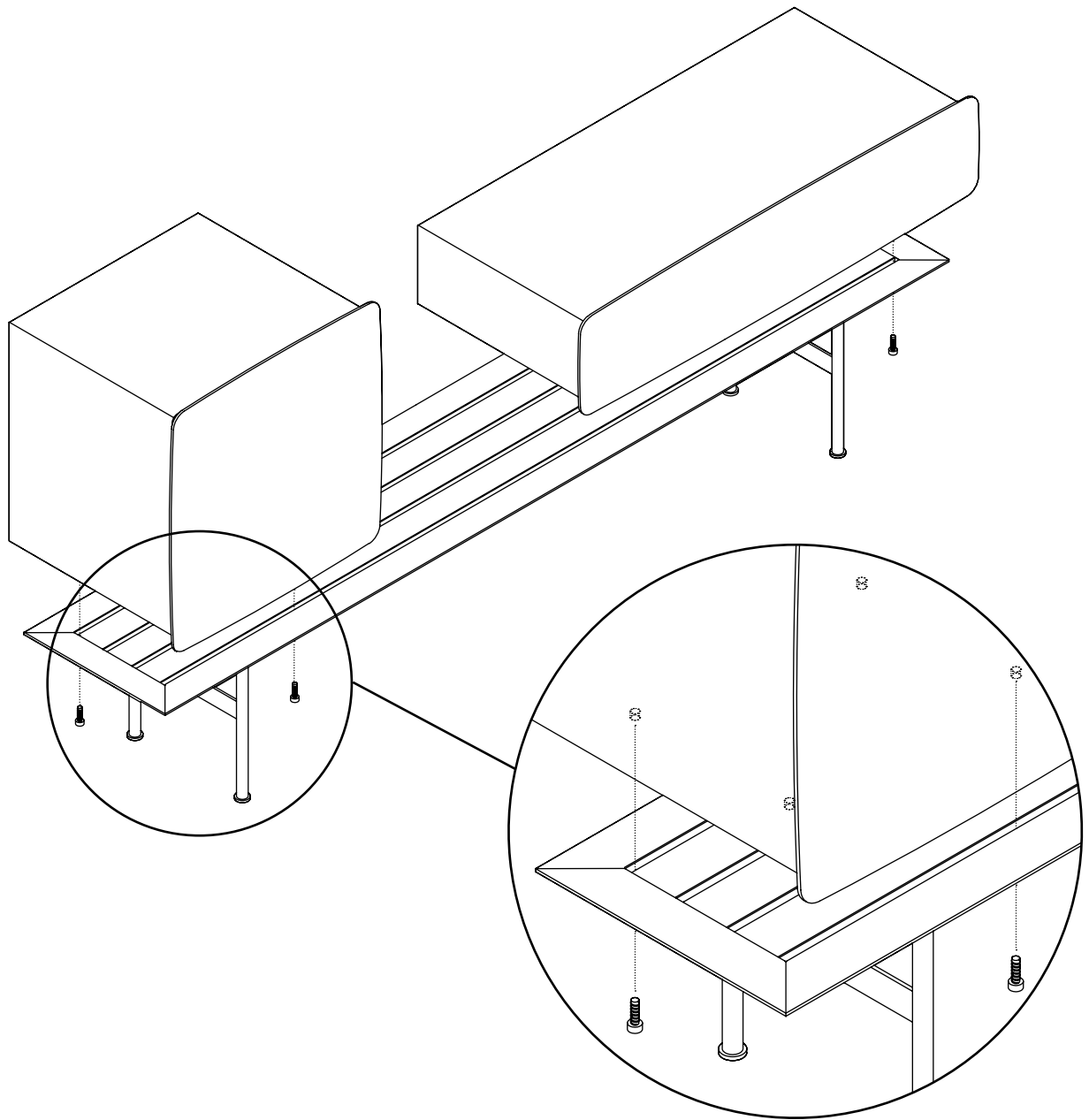


POSITION THE STORAGE CONTAINER ONTO THE BENCH MAKING SURE THAT THE ASSEMBLY HOLES ARE FACING DOWN.

WITH A TAPE MEASURE, MAKE SURE THAT THE STORAGE BOX PULLS OUT 30MM FROM THE BENCH; THIS HELPS TO FIND THE HOLES TO ASSEMBLE USING PROVIDED HAND SCREWS.

YEE STORAGE SYSTEM  
EXAMPLE SETTING 2

---



EVERY BENCH COMES WITH TWO HAND SCREWS WHICH SHALL ALWAYS BE FIXED IN A DIAGONAL POSITION.  
FIX THE STORAGE BOXES WITH THE PROVIDED HAND SCREWS.

YEE STORAGE SYSTEM  
EXAMPLE SETTING 2

---

